

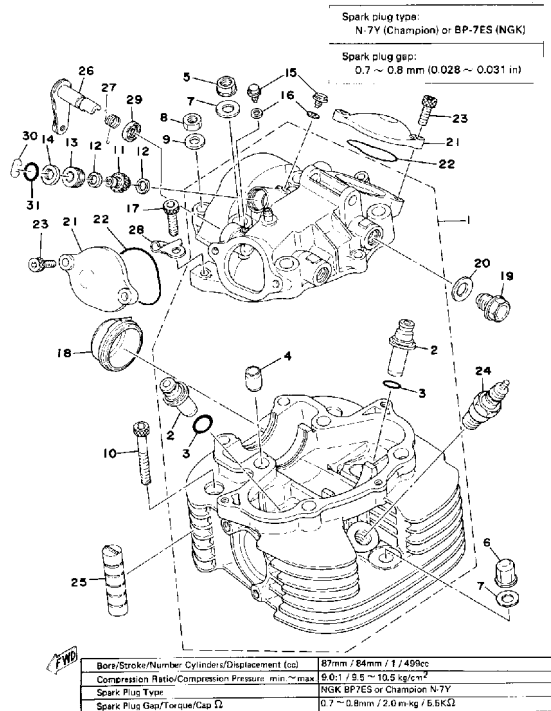
YAMAHA

GENUINE

PARTS CATALOGUE

MOTORCYCLE

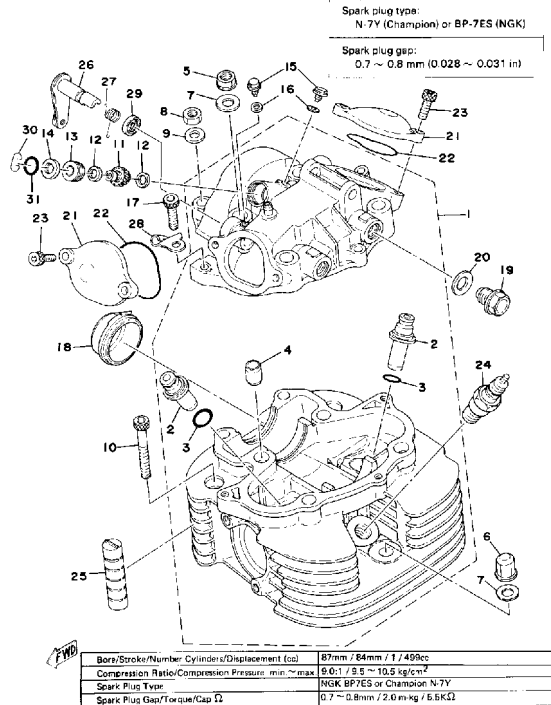
CYLINDER HEAD - CYLINDER HEAD COV



Ref. No.	Part Number	Description	Qty	Remarks
1	(2J2-11101-00-00)	CYLINDER HEAD ASSEMBLY .	1	
2	583-11133-11-00	. GDE, INTK VLV 1 O/S	2	ALTERNATE PARTS
3	93210-14299-00	. O-RING	2	
4	99530-14016-00	. PIN, DOWEL	2	
5	90176-10049-00	NUT, CROWN	4	
6	90176-10049-00	NUT, CROWN	1	
7	90201-10124-00	WASHER, PLATE	5	
8	95333-08600-00	NUT	2	
9	90201-08649-00	WASHER, PLATE	2	
10	(2J2-11101-00-00)	CYLINDER HEAD ASSEMBLY .		SEE GRID H-1 FOR KIT COMPONENTPARTS
	91316-06055-00	BOLT, SOCKET HEAD	2	
11	1E6-17841-00-00	GEAR, DRIVEN	1	
12	90201-084L7-00	WASHER, PLATE	2	
13	1E6-17843-00-00	BUSH, DRVN GR OUTER	1	
14	93101-08132-00	OIL SEAL, S-TYPE	1	
15	90109-06418-00	BOLT	2	
16	90430-06014-00	GASKET	2	
17	91316-06025-00	BOLT	3	
18	2J2-11197-00-00	PLUG, BLIND	1	
19	90340-14038-00	PLUG, STRAIGHT SCRW	2	
20	90430-14043-00	GASKET	2	
21	2J2-11186-00-00	COVER, CYLINDER.HEAD 2	2	
22	93210-49296-00	O-RING	2	
23	91316-06018-00	BOLT, SOCKET HEAD	4	
24	CMP-N7YC0-00-00	CHAMPION N7YC 4PK	1	U.R.
	NGK-BP7ES-00-00	PLUG, SPARK (NGK BP-7ES)	1	U.R.
25	583-11127-00-00	ABSORBER 3	2	

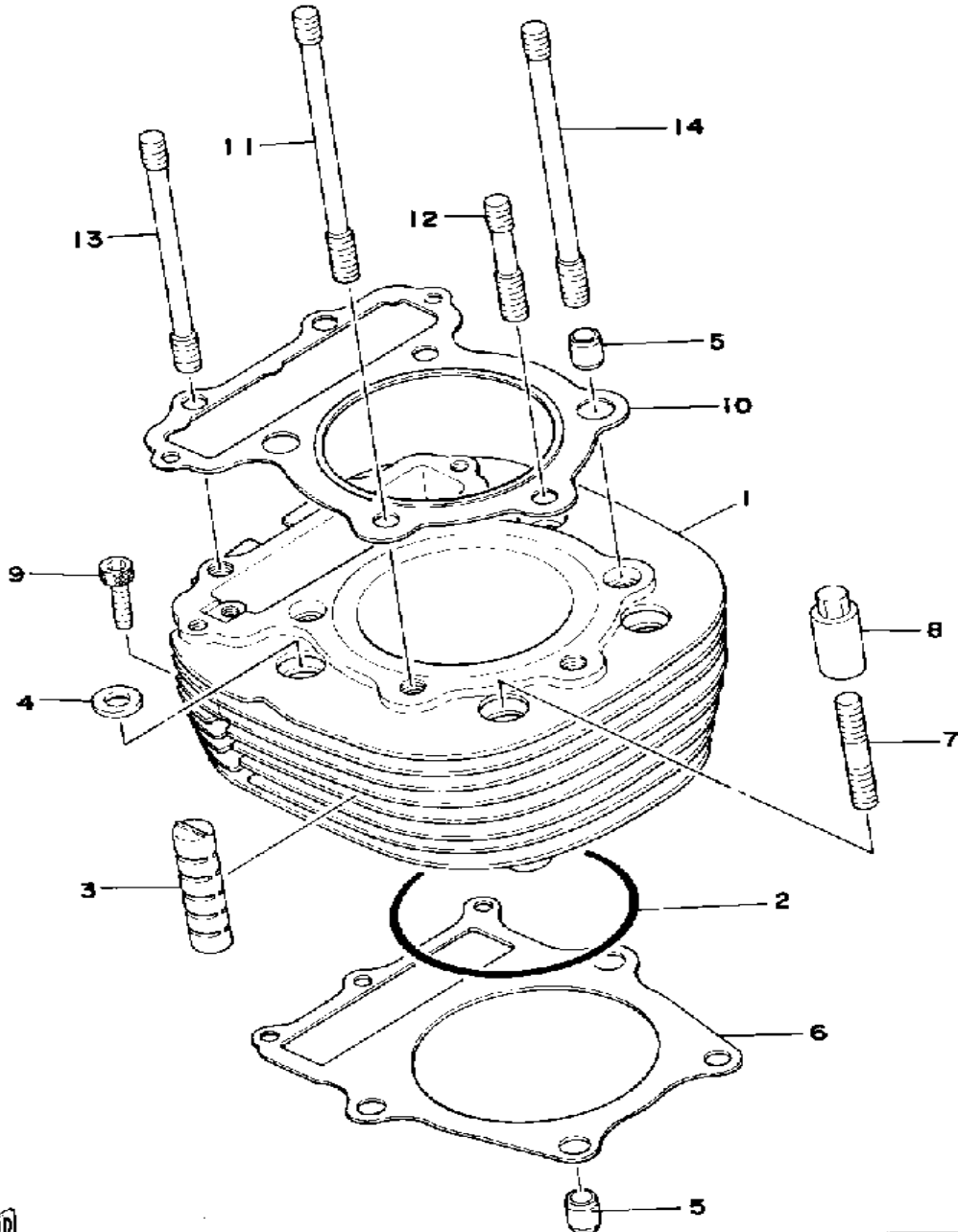
CONTINUED ON NEXT FRAME ►

CYLINDER HEAD - CYLINDER HEAD COV



Ref. No.	Part Number	Description	Qty	Remarks
26	583-12288-00-00	CAM, DCOMP	1	
27	90508-16303-00	SPRING, TORSION	1	
28	583-12283-00-00	BRACKET, DCOMP	1	
29	93104-12054-00	OIL SEAL, SO-TYPE	1	
30	102-25137-00-00	RING, STOP	1	
31	93210-14104-00	O-RING	1	

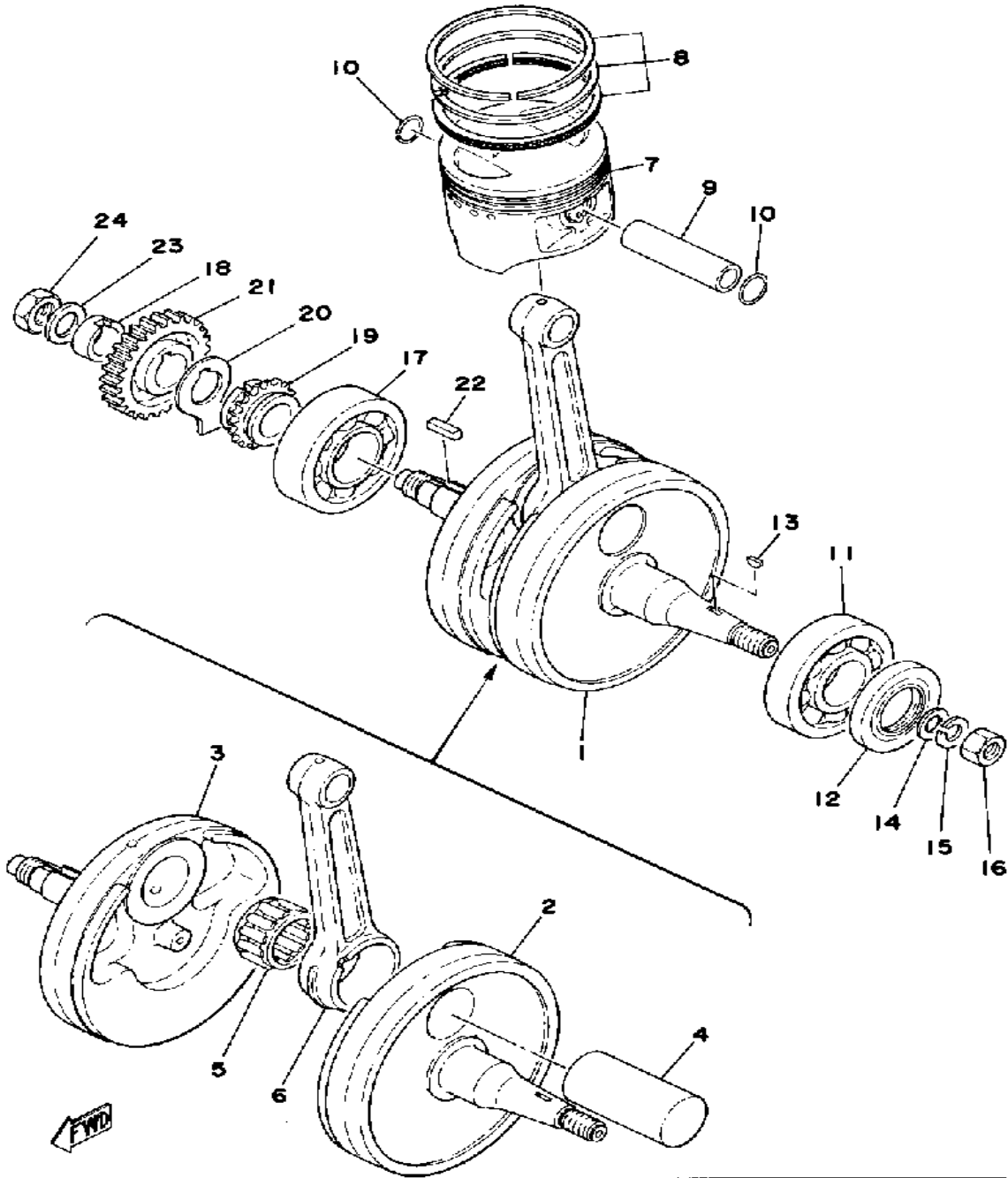
CYLINDER



Ref. No.	Part Number	Description	Qty	Remarks
1	2J2-11310-00-00	CYLINDER	1	
2	93210-92295-00	O-RING	1	
3	583-11127-00-00	ABSORBER 3	2	
4	90201-10590-00	WASHER, PLATE	4	
5	99530-14016-00	PIN, DOWEL	4	
6	583-11351-00-00	GASKET, CYLINDER	1	
7	(2J2-00000-20-00)	GSKTKT SR500E/F		SEE GRID H-1 FOR KIT COMPONENT
	90116-10087-00	BOLT, STUD	4	M10-64L
8	90179-10201-00	NUT	4	
9	90110-06138-00	BOLT, HEX SKT HEAD	3	
10	2J2-11181-09-00	GASKET, CYLINDER HEAD 1 .	1	
11	90116-10222-00	BOLT, STUD	2	M10-163L
12	90116-10223-00	BOLT, STUD	1	M10-68L
13	90116-08190-00	BOLT, STUD	2	M8-143L
14	90116-10225-00	BOLT, STUD	2	M10-173L

	ENGINE TYPE	4-stroke, SOHC, air-cooled, single / Premium Fuel
	Bore/Stroke/Number Cylinders/Displacement (cc)	87mm / 84mm / 1 / 499cc
	Compression Ratio/Compression Pressure min.~max.	9.0:1 / 9.5 ~ 10.5 kg/cm ²

CRANK - PISTON

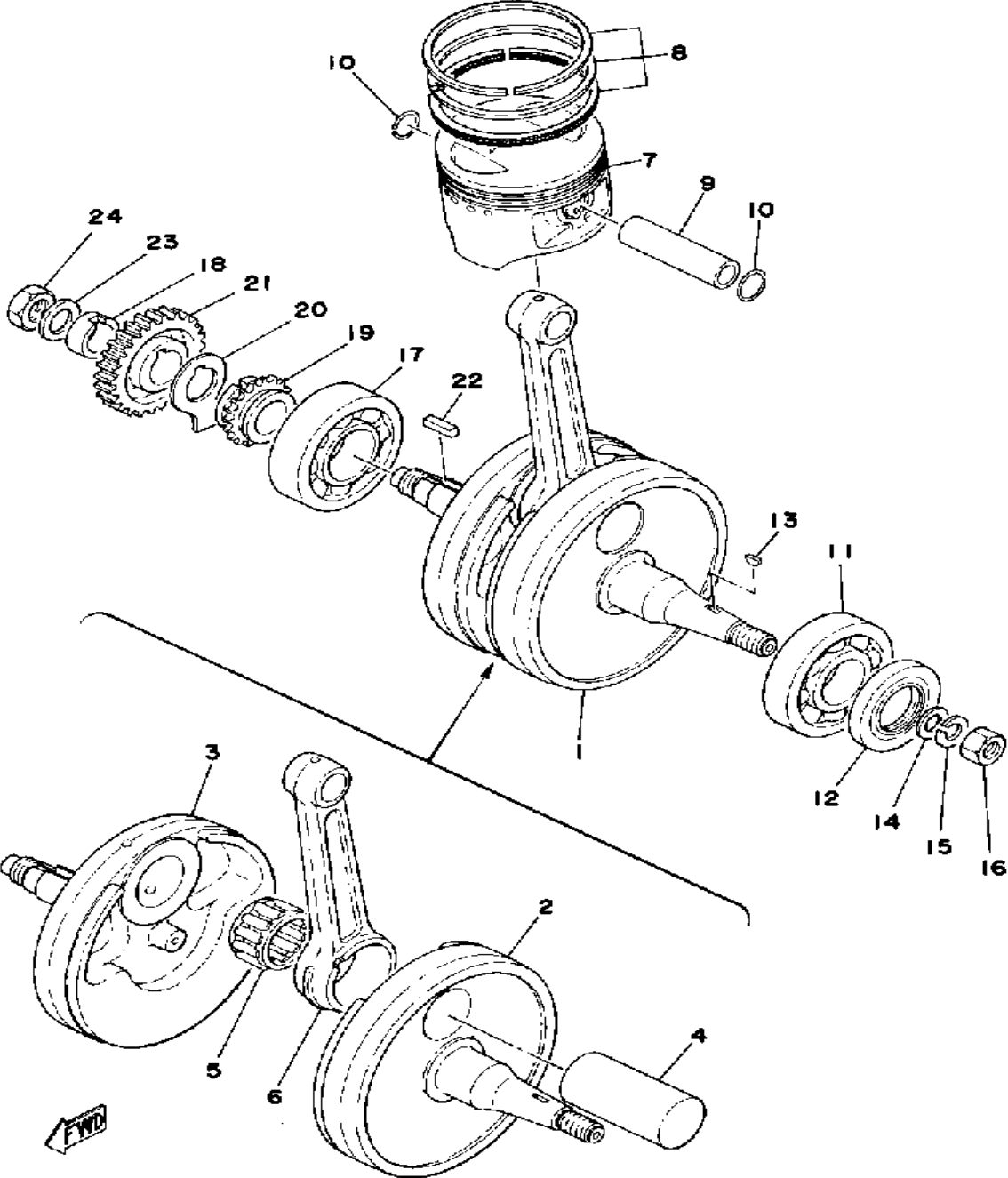


Ref. No.	Part Number	Description	Qty	Remarks
1	2J2-11400-00-00	NO LONGER AVAILABLE	1	
2	2J2-11412-00-00	. NO LONGER AVAILABLE	1	
3	2J2-11412-00-00	. NO LONGER AVAILABLE	1	
4	583-11681-00-00	. PIN, CRANK 1	1	
5	93310-635A5-00	. BEARING, CYLINDER.# 0	1	
6	583-11651-00-00	. ROD, CONNECTING	1	
7	2J2-11631-00-96	PISTON STD	1	
	2J2-11635-00-00	PISTON 1 O/S 0.5	1	ALTERNATE PARTS
	2J2-11636-00-00	PISTON 2 O/S 0.0	1	ALTERNATE PARTS
	2J2-11637-00-00	NO LONGER AVAILABLE (87.75MM 3RD O.S)	1	ALTERNATE PARTS
	2J2-11638-00-00	PISTON 4 O/S 1.0	1	ALTERNATE PARTS
8	583-11610-02-00	PISTON RINGSET STD (583-11610-01)	1	
	583-11610-12-00	PISTON RINGSET 1ST (583-11610-11)	1	ALTERNATE PARTS
	583-11610-22-00	PISTON RINGSET 2ND (583-11610-21)	1	ALTERNATE PARTS
	583-11610-32-00	PISTON RINGSET 3RD (583-11610-31)	1	ALTERNATE PARTS
	583-11610-42-00	PISTON RINGSET 4TH (4TH O/S)	1	ALTERNATE PARTS
9	(2J2-11101-00-00)	CYLINDER HEAD ASSEMBLY	1	
10	93450-22027-00	CIRCLIP	2	
11	93306-30616-00	BEARING (B6306)	1	
12	93102-30145-00	OIL SEAL, SD-TYPE	1	
13	90280-05013-00	KEY, WOODRUFF	1	
14	90201-12593-00	WASHER, PLATE	1	
15	92901-12100-00	WASHER, SPRING	1	
16	90170-12347-00	NUT, HEXAGON	1	
17	93306-30702-00	BEARING (B6307)	1	

Piston Skirt Clearance new/max.	0.050 ~ 0.055mm / 0.1mm
Ring End Gap top/2nd/3rd	0.3 ~ 0.5mm / 0.3 ~ 0.5mm / 0.2 ~ 0.9mm

CONTINUED ON NEXT FRAME ►

CRANK - PISTON



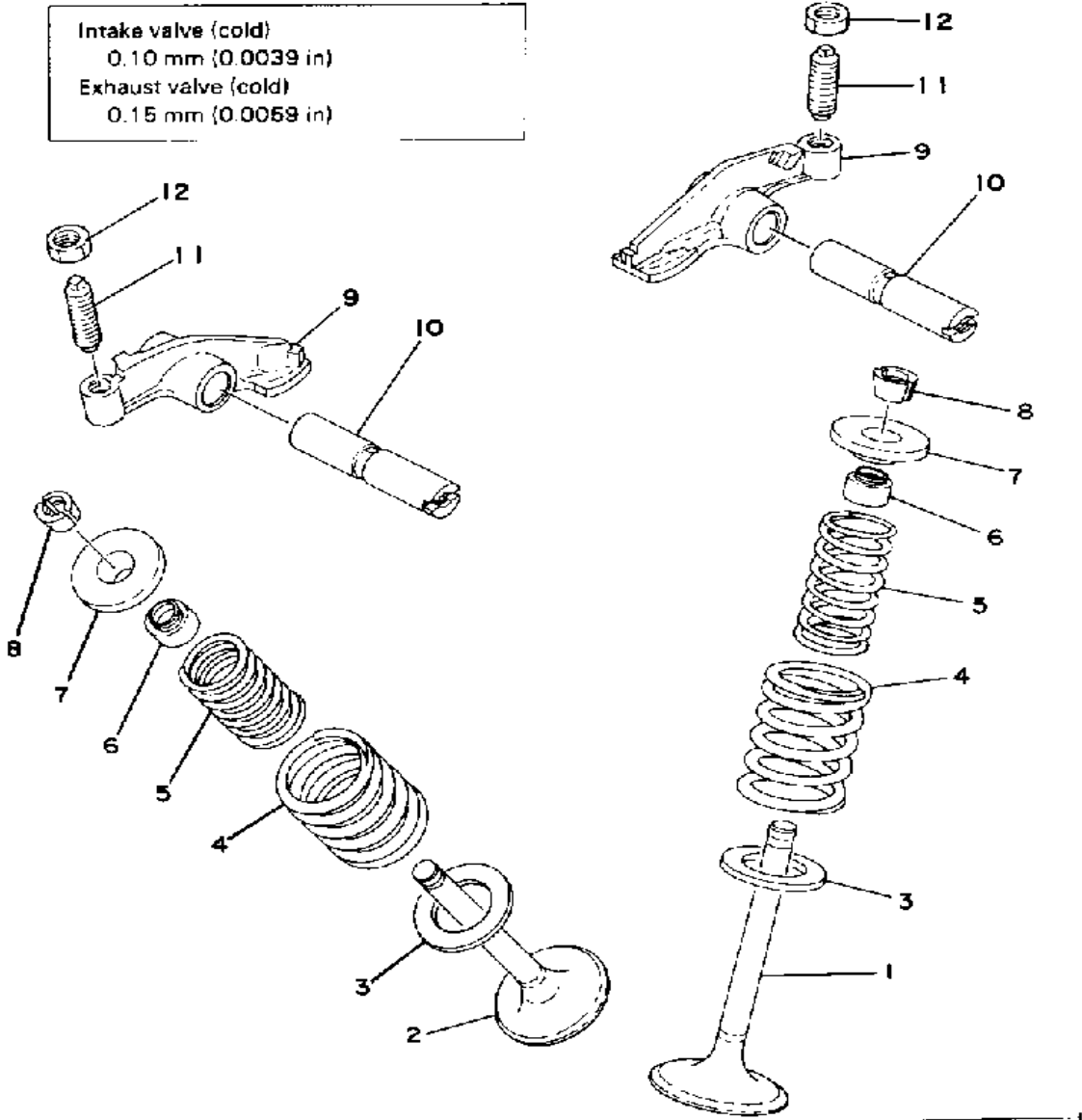
Ref. No.	Part Number	Description	Qty	Remarks
18	90387-20644-00	COLLAR	1	
19	583-11549-00-00	SPROCKET, CAM CHAIN	1	
20	583-11533-00-00	PLATE, ABSORBER	1	
21	583-16111-00-00	GEAR, PRI DRIVE	1	
22	90282-07021-00	KEY, STRAIGHT	1	
23	90208-16019-00	WASHER, CONICAL SPRING	1	
24	90170-16182-00	NUT	1	

Piston Skirt Clearance new/max.	0.050 ~ 0.055mm / 0.1mm
Ring End Gap top/2nd/3rd	0.3 ~ 0.5mm / 0.3 ~ 0.5mm / 0.2 ~ 0.9mm

VALVE - ROCKER ARM

Ref. No.	Part Number	Description	Qty	Remarks
1	2J2-12111-01-00	VALVE, INTAKE 1	1	
2	583-12121-00-00	VALVE, EXHAUST	1	
3	256-12116-01-00	SEAT, VALVE SPRING	2	
4	90501-44455-00	SPRING, COMPRESSION	2	
5	90501-31454-00	SPRING, COMPRESSION	2	
6	341-12119-02-00	SEAL, VALVE STEM	2	
7	256-12117-02-00	RETAINER, VALVE SPR	2	
8	341-12118-00-00	COTTER, VALVE	4	
9	583-12151-00-00	ARM, VALVE ROCKER	2	
10	583-12156-01-00	SHAFT, ROCKER	2	
11	90149-08098-00	SCREW, SPEC"L SHAPE	2	
12	90170-08173-00	NUT, HEXAGON	2	

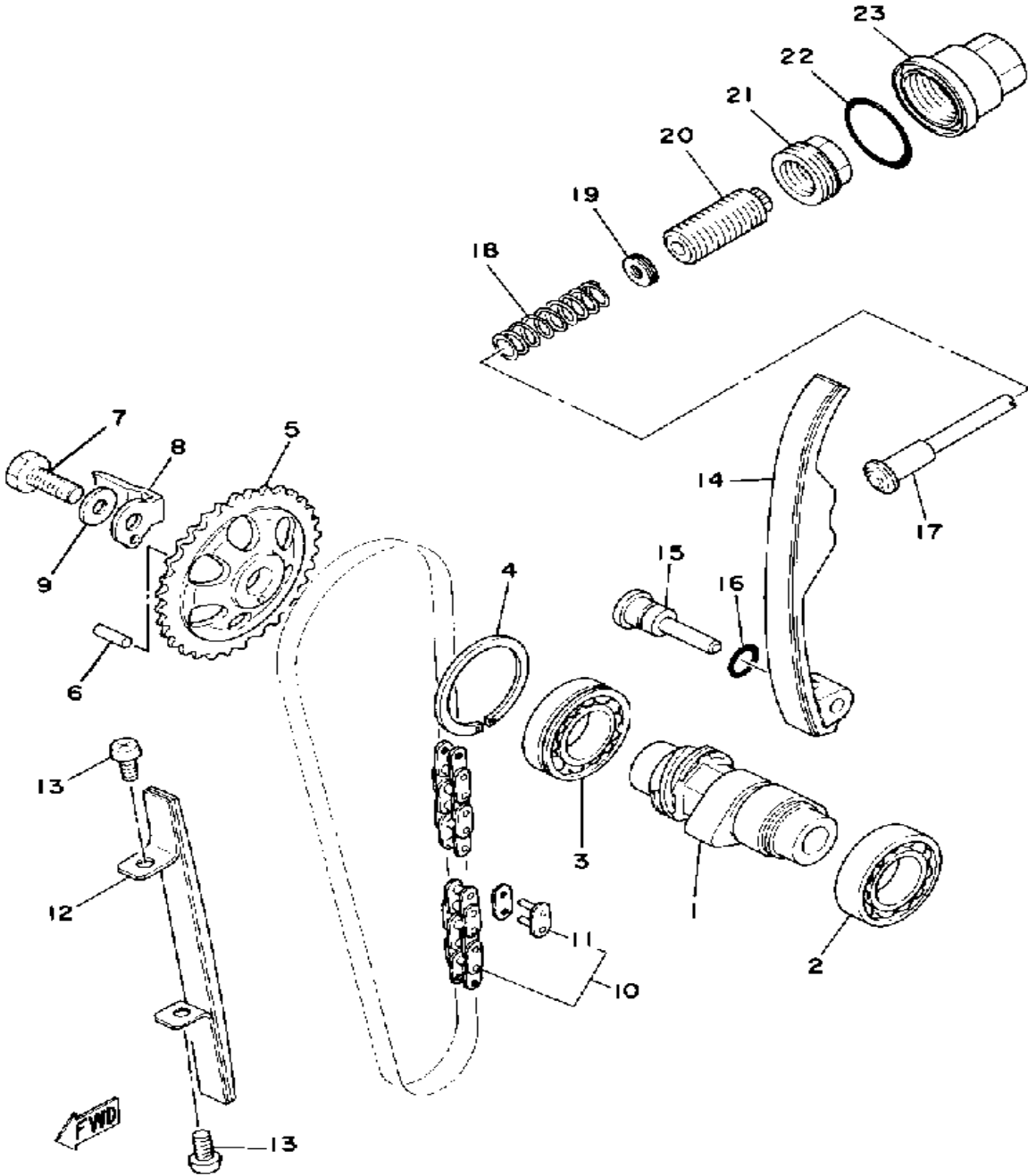
Intake valve (cold)
0.10 mm (0.0039 in)
Exhaust valve (cold)
0.15 mm (0.0059 in)



Valve Clearance (cold) Intake/Exhaust	0.07 ~ 0.12mm / 0.12 ~ 0.17mm
---------------------------------------	-------------------------------

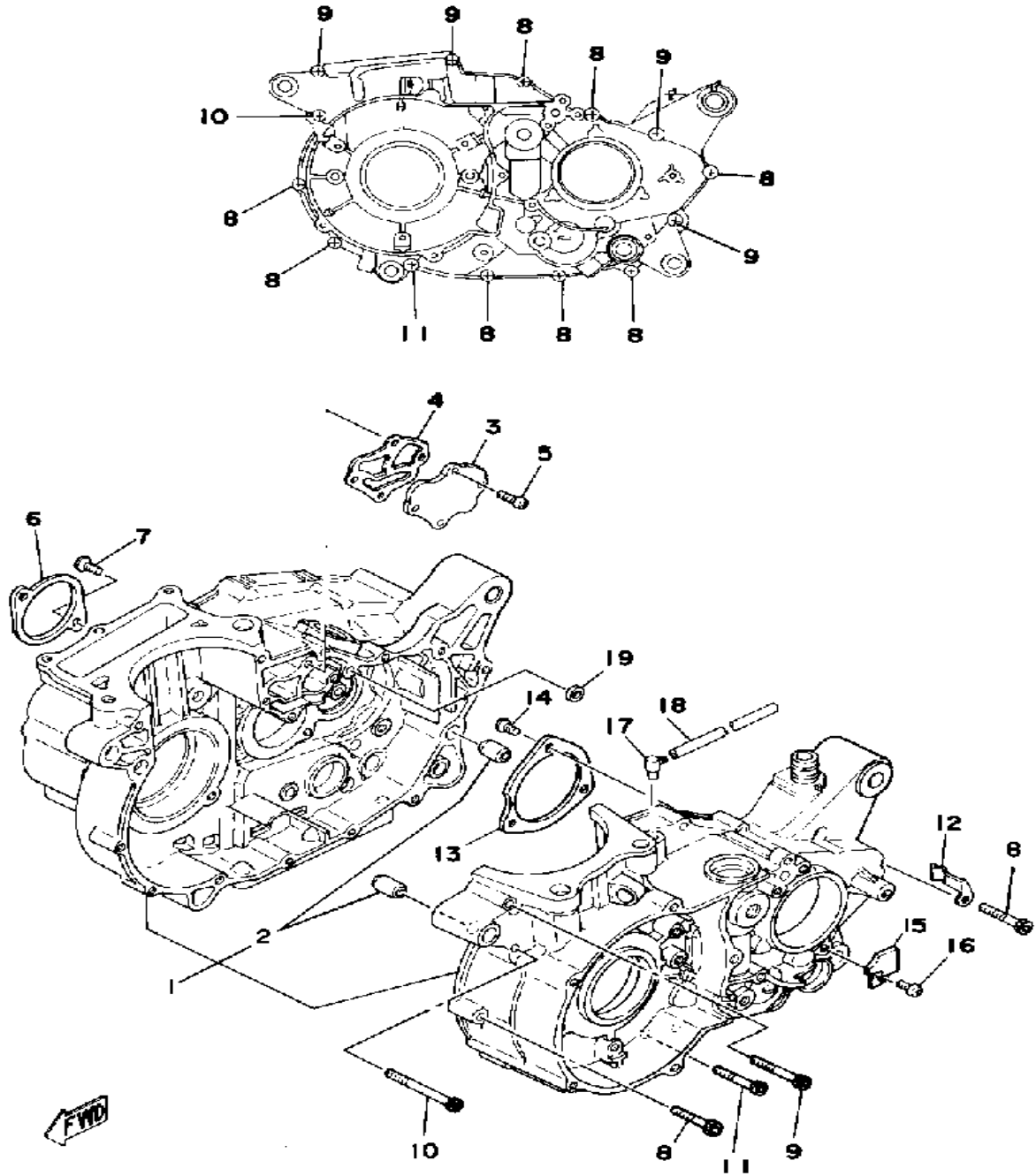


CAMSHAFT - CHAIN TENSIONER



Ref. No.	Part Number	Description	Qty	Remarks
1	583-12171-01-00	CAMSHAFT 1	1	
2	93306-00501-00	BEARING (B6005)	1	
3	93306-00519-00	BEARING	1	
4	93440-47044-00	CIRCLIP, OUTER	1	
5	583-12176-00-00	SPROCKET, CAM CHAIN	1	
6	93604-16092-00	PIN, DOWEL	1	
7	90101-10303-00	BOLT	1	
8	1T1-12279-00-00	PLATE	1	
9	90201-10774-00	WASHER, PLATE	1	
10	94500-02106-00	CHAIN	1	
11	94600-02001-00	. JOINT, CHAIN (BF05M)	1	
12	583-12231-00-00	GUIDE, STOPPER 1	1	
13	98503-06014-00	SCREW, PAN HEAD (92502-06016)	2	
14	341-12241-03-00	GUIDE, STOPPER 2	1	
15	583-12247-00-00	SHAFT, TENSIONER	1	
16	93210-12152-00	O-RING	1	
17	583-12217-00-00	ROD, CHN TENSIONER	1	
18	90501-14095-00	SPRING, COMPRESSION	1	
19	2H0-12232-00-00	DAMPER	1	
20	90149-18191-00	SCREW, SPEC'L SHAPE	1	
21	90179-18199-00	NUT, SPEC'L SHAPE	1	
22	93210-32172-00	O-RING	1	
23	583-12212-00-00	CASE, CHAIN TENSNR	1	

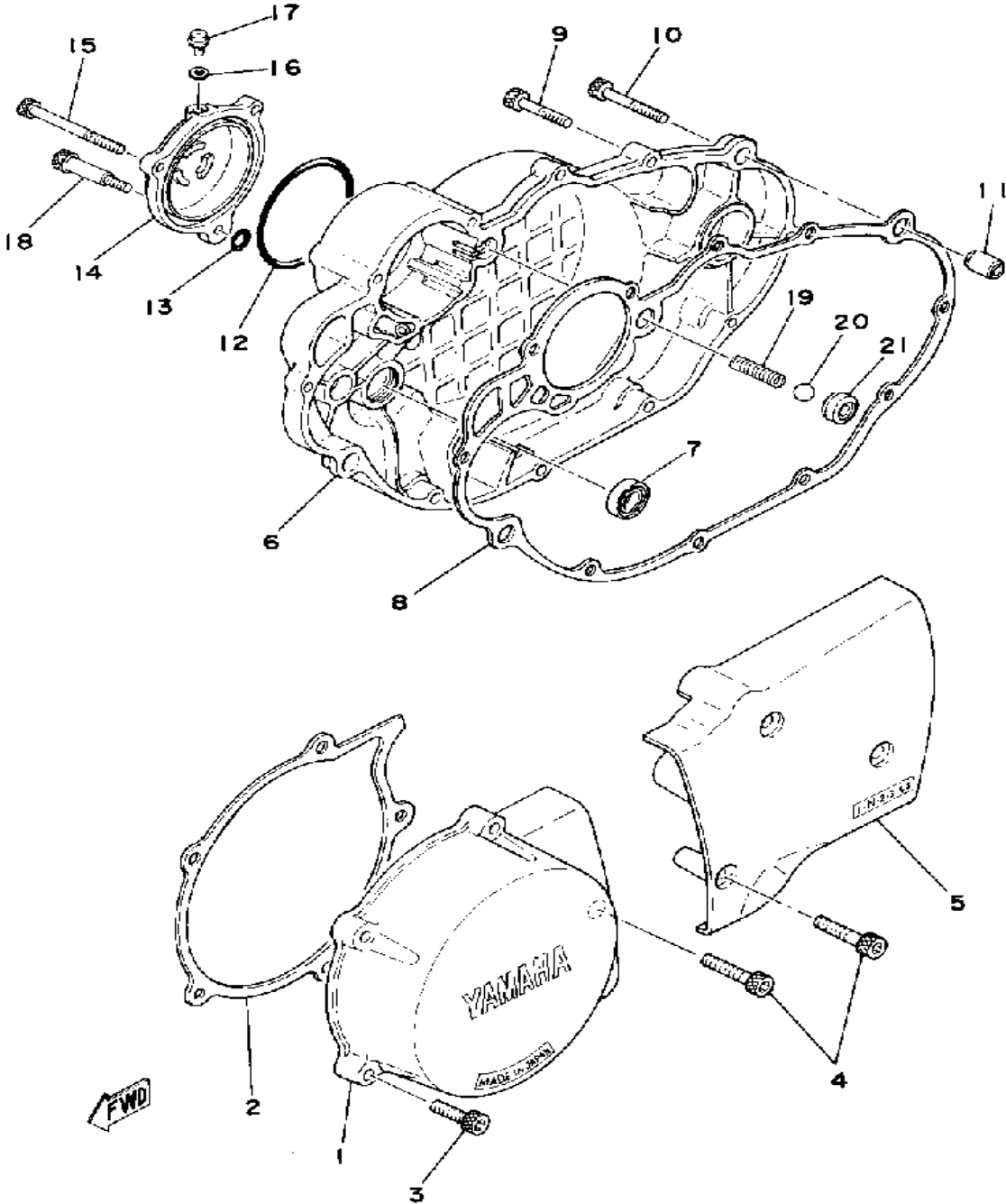
CRANKCASE



Ref. No.	Part Number	Description	Qty	Remarks
1	(2J2-15100-00-00)	CRANKCASE ASSEMBLY	1	
2	99510-12016-00	. PIN, DOWEL	2	
3	583-15426-00-00	COVER, OIL PUMP R	1	
4	583-15466-00-00	GASKET 2	1	
5	98580-06018-00	SCREW, PAN HEAD	4	
6	583-15383-00-00	PLATE, BRNG COVER	1	
7	98701-06014-00	SCREW, FLAT HEAD	2	
8	91316-06035-00	BOLT	8	M6-35L
9	(2J2-00000-20-00)	GSKTKT SR500E/F		SEE GRID H-1 FOR KIT COMPONENT
	91316-06045-00	BOLT, SOCKET HEAD	4	M6-45L
10	91316-06065-00	BOLT, SOCKET HEAD	1	M6-65L
11	91316-06055-00	BOLT, SOCKET HEAD	1	M6-55L
12	90465-08277-00	CLAMP	1	
13	(363-15381-00-00)	PLATE, BRNG COVER	1	
14	98701-05012-00	SCREW, FLAT HEAD	3	
15	(90465-05132-00)	CLAMP	1	
16	98580-06012-00	SCREW, PAN HEAD	1	
17	583-15371-00-00	BREATHER	1	
18	90445-07039-00	HOSE	1	
19	90430-09121-00	GASKET	1	

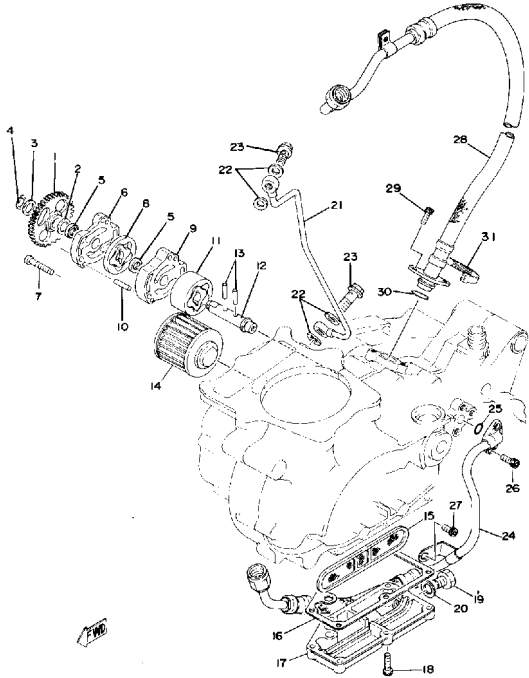
Oil Tank or Engine Sump Capacity Chg 2000cc / Filter 2100cc / Dry 2400cc

CRANKCASE COVER



Ref. No.	Part Number	Description	Qty	Remarks
1	2J2-15411-00-00	COVER, CRANKCASE L	1	
2	3HT-15451-00-00	GASKET, CRCS COVER	1	
3	91316-06025-00	BOLT	4	
4	91316-06035-00	BOLT	4	
5	3GW-15421-00-00	COVER, CRANKCASE R	1	
6	2J2-W1542-00-00	COVER, CRANKCASE 3 (2J2-15431-00)	1	
7	93101-14089-00	OIL SEAL	1	
8	3HT-15462-00-00	GASKET, CRCS CVR 3	1	
9	90110-06138-00	BOLT, HEX SKT HEAD	8	
10	(2J2-00000-20-00)	GSKTKT SR500E/F		SEE GRID H-1 FOR KIT COMPONENT
	91316-06040-00	BOLT, SOCKET HEAD	2	
11	99510-12016-00	PIN, DOWEL	2	
12	93210-64297-00	O-RING	1	
13	93210-07438-00	O-RING	1	
14	2J2-13447-00-00	COVER, OIL ELEMENT	1	
15	91316-06060-00	BOLT	2	
16	90430-05126-00	GASKET	1	
17	90149-05110-00	SCREW	1	
18	90109-06419-00	BOLT	1	
19	90501-05378-00	SPRING, COMPRESSION	1	
20	93503-08007-00	BALL	1	
21	583-13113-00-00	SEAT, CHECK BALL	1	

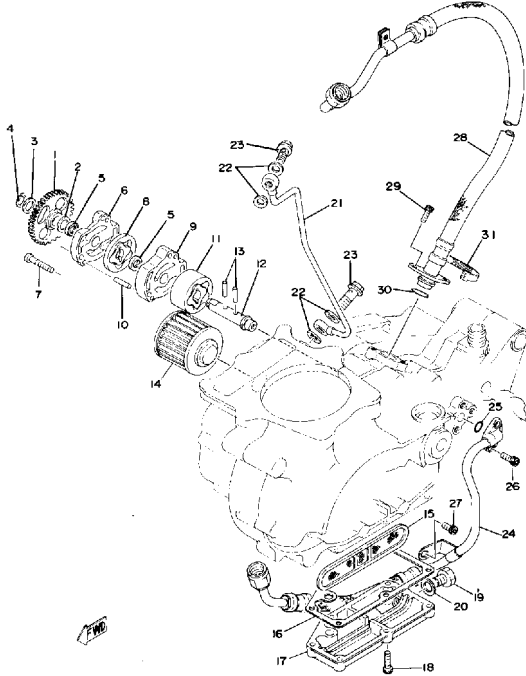
OIL PUMP - OIL CLEANER



Ref. No.	Part Number	Description	Qty	Remarks
1	583-13325-00-00	GEAR, PUMP DRIVEN	1	
2	90201-12166-00	WASHER, PLATE	1	
3	90201-10119-00	WASHER, PLATE	1	
4	99009-10400-00	CIRCLIP	1	
5	93104-11038-00	OIL SEAL, SO-TYPE	2	
6	99999-00996-00	CVR/HOUSING COMP	1	
7	98580-06030-00	SCREW PAN HEAD	3	
8	583-13310-01-00	ROTOR ASSEMBLY 1	1	
9	99999-00996-00	CVR/HOUSING COMP	1	
10	93604-22050-00	PIN, DOWEL	2	
11	583-13320-00-00	ROTOR ASSEMBLY 2	1	
12	583-13314-00-00	SHAFT, PUMP	1	
13	93603-17070-00	PIN, DOWEL	2	
14	4X7-13440-90-00	ELMNT ASSEMBLY, OIL CLNR	1	
15	583-13411-00-00	STRAINER, OIL	1	
16	583-13414-00-00	GASKET, STRNR COVER	1	
17	583-13417-01-00	COVER, STRAINER	1	
18	91316-06020-00	BOLT, SOCKET HEAD	6	
19	90101-14259-00	BOLT	1	
20	214-11198-01-00	GASKET	1	
21	583-13161-01-00	PIPE, DELIVERY 1	1	
22	90201-08087-00	WASHER, PLATE	4	
23	90401-08038-00	BOLT, UNION	2	
24	583-13464-00-00	HOSE, OIL 1	1	
25	93210-10197-00	O-RING	1	
26	91316-06016-00	BOLT, SOCKET HEAD	2	
27	91316-06012-00	BOLT, SOCKET HEAD	1	
28	583-13465-02-00	HOSE, OIL 2	1	
29	91316-06016-00	BOLT, SOCKET HEAD	2	

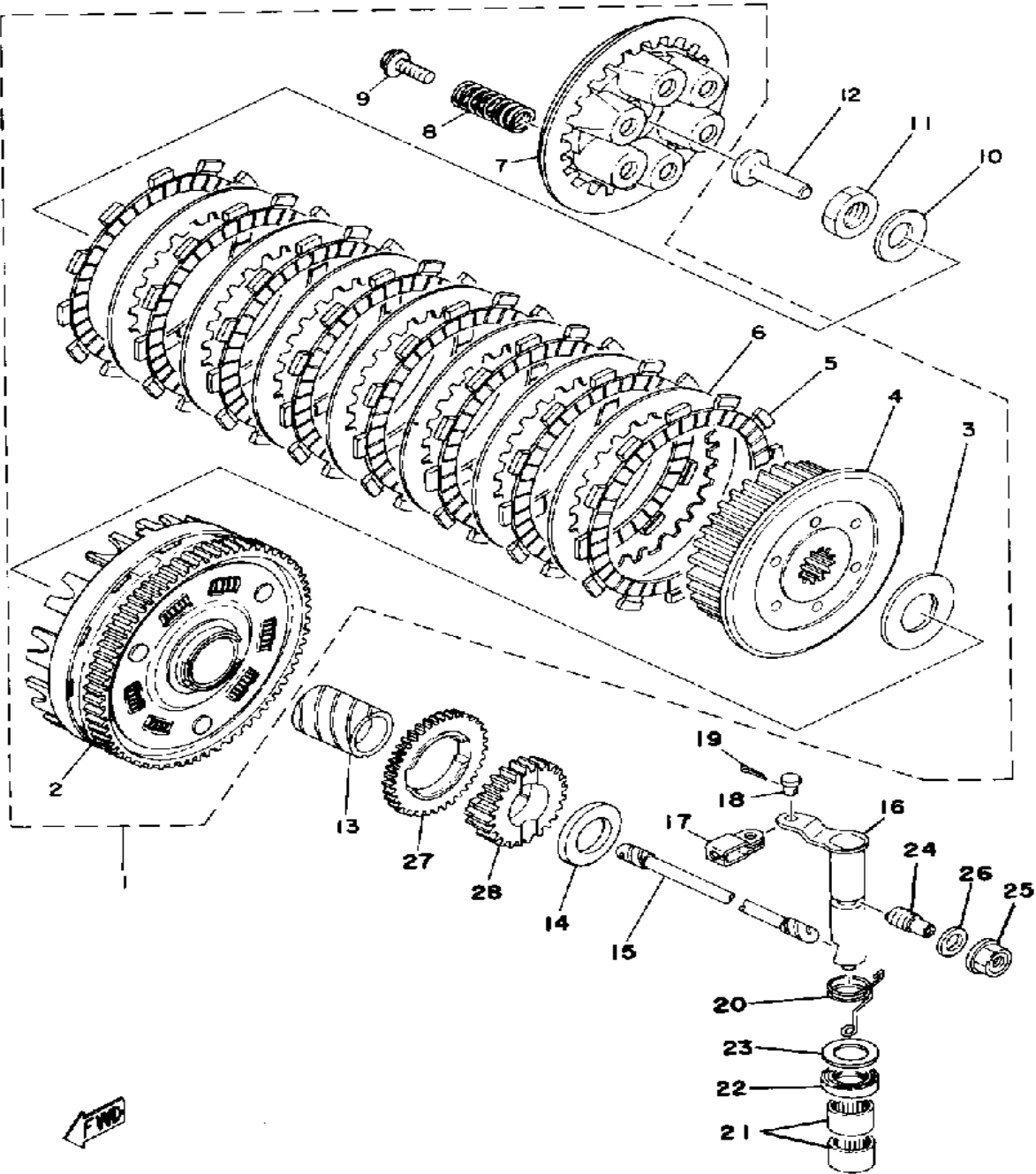
CONTINUED ON NEXT FRAME ➤

OIL PUMP - OIL CLEANER



Ref. No.	Part Number	Description	Qty	Remarks
30	93210-15171-00	O-RING	1	
31	437-83936-01-00	BAND, SWITCH CORD	1	

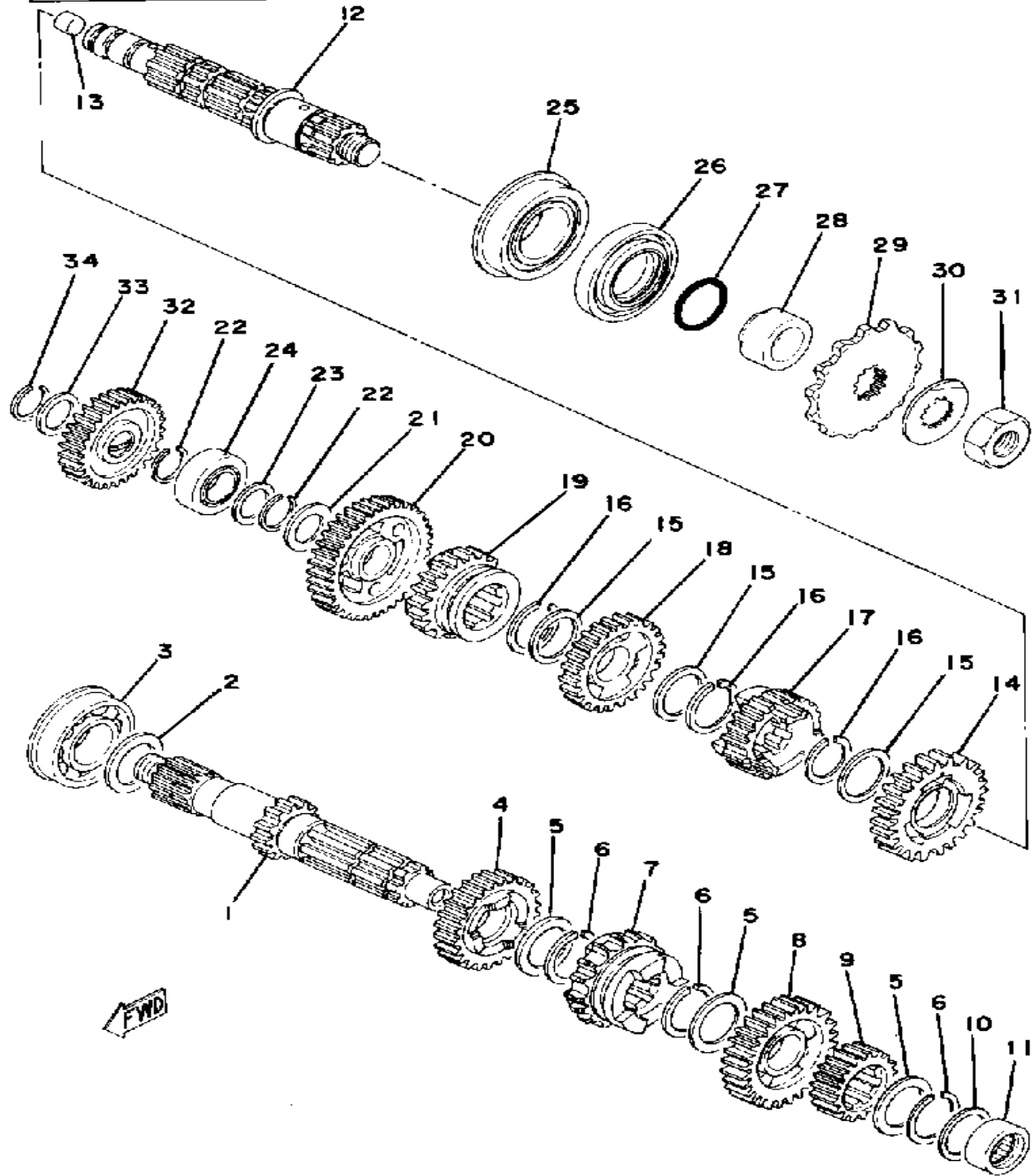
CLUTCH



Ref. No.	Part Number	Description	Qty	Remarks
1	(2J2-16301-00-00)	CLUTCH ASSEMBLY	1	
2	(2J2-16150-00-00)	PRI DRVN GEAR	1	
3	170-16164-00-00	. PLATE, THRUST 2	1	
4	583-16371-00-00	. BOSS, CLUTCH	1	
5	5Y1-16321-00-00	. PLATE, FRICTION	8	
6	360-16325-00-00	. PLATE, CLUTCH 2	7	
7	498-16351-00-00	. PLATE, PRESSURE 1	1	
8	90501-23391-00	. SPRING, COMPRESSION	6	
9	90159-06010-00	. SCREW, WITH WASHER	6	
10	214-16119-00-00	. SPRING, BELLEVILLE	1	
11	90170-18086-00	NUT, HEXAGON	1	
12	174-16356-00-00	ROD, PUSH 1	1	
13	90560-25153-00	SPACER	1	
14	363-16154-00-00	PLATE, THRUST 1	1	
15	583-16357-01-00	ROD, PUSH 2	1	
16	583-16381-00-00	AXLE, PUSH LEVER	1	
17	214-16389-00-00	JOINT	1	
18	90240-06005-00	PIN, CLEVIS	1	
19	91401-10015-00	PIN, COTTER	1	
20	90508-12279-00	SPRING, TORSION	1	
21	93315-11720-00	BEARING	2	
22	93102-17357-00	OIL SEAL	1	
23	90201-17327-00	WASHER, PLATE	1	
24	364-16343-00-00	SCREW, ADJUSTING	1	
25	583-16344-00-00	NUT, ADJUSTING	1	
26	90201-12172-00	WASHER, PLATE	1	
27	583-13324-00-00	GEAR, PUMP DRIVE	1	
28	583-15631-00-00	GEAR, KICK PINION	1	

Clutch Friction Plate Thickness std ~ min.	2.8 ~ 2.5mm
Clutch Spring Length std ~ min.	41.2 ~ 40mm

TRANSMISSION — oil type/qty chg/qty reassemble	SAE20W40 (Yamalube 4*) / See Engine
Primary drive type	Spur Gear
Secondary type/teeth/chain	Chain / 44-16 / DID50HDSS - 104L

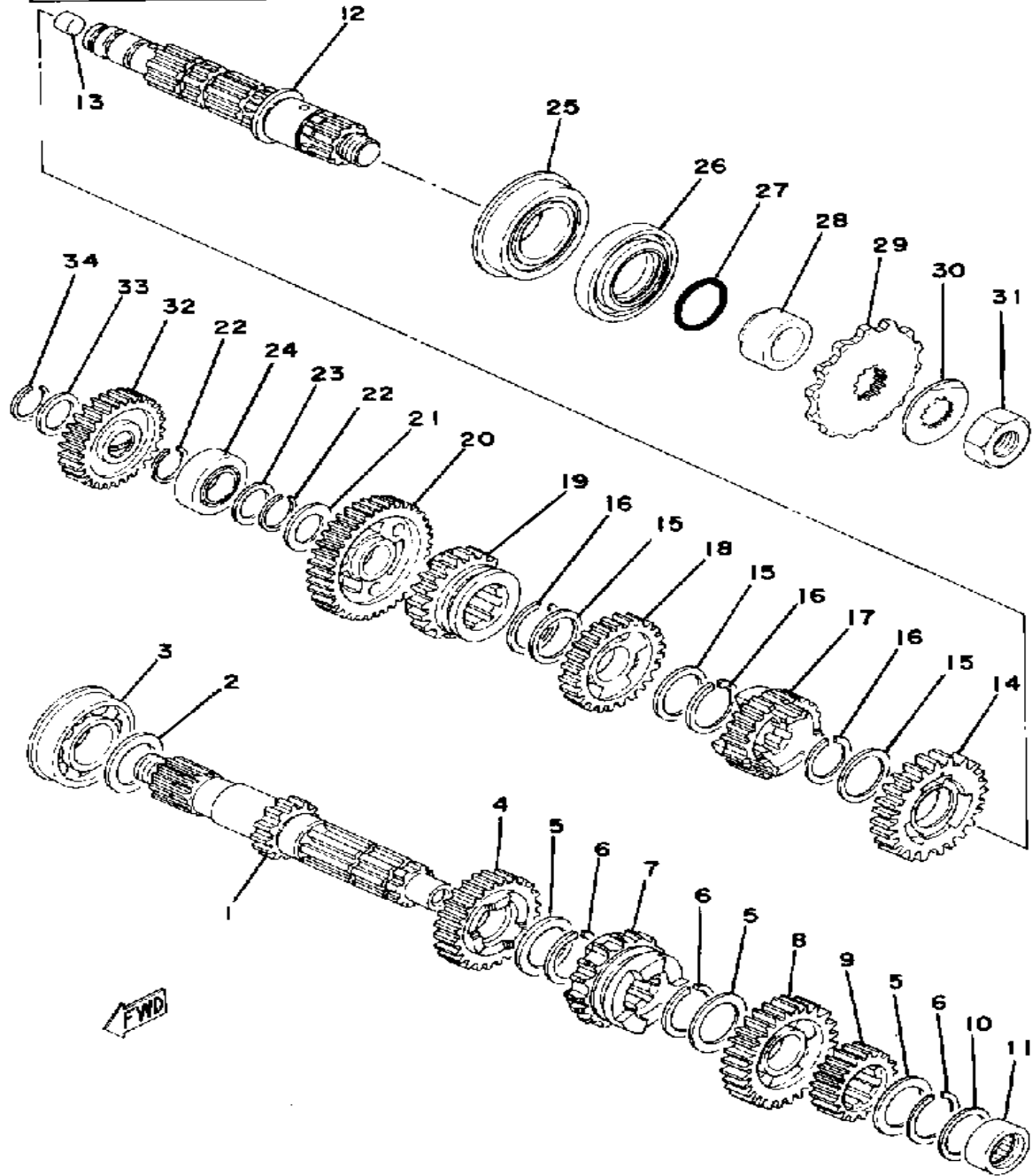


TRANSMISSION

Ref. No.	Part Number	Description	Qty	Remarks
1	583-17411-01-00	AXLE, MAIN	1	
2	168-17428-01-03	SHIM 2 (25-34-0.3)	1	U.R.
	168-17428-01-05	SHIM 2 (25-34-0.5)	1	U.R.
3	93304-20501-00	BEARING	1	
4	583-17141-00-00	GEAR, 4TH PINION	1	
5	90201-253K0-00	WASHER, PLATE (T=1.0)	3	
6	93440-25020-00	CIRCLIP	3	
7	583-17131-02-00	GEAR, 3RD PINION	1	
8	583-17151-01-00	GEAR, 5TH PINION	1	
9	583-17121-00-00	GEAR, 2ND PINION	1	
10	90201-20266-00	WASHER, PLATE (1.0T)	1	
11	93311-42012-00	BEARING, CYLINDER.# 1	1	
12	99999-01986-00	AXLE, DRIVE	1	
13	90338-09066-00	PLUG, SPEC'L SHAPE	1	
14	583-17221-00-00	GEAR, 2ND WHEEL	1	
15	90201-253K0-00	WASHER, PLATE (T=1.0)	3	
16	93440-25020-00	CIRCLIP	3	
17	583-17251-01-00	GEAR, 5TH WHEEL	1	
18	583-17231-01-00	GEAR, 3RD WHEEL	1	
19	583-17241-00-00	GEAR, 4TH WHEEL	1	
20	583-17211-00-00	GEAR, 1ST WHEEL	1	
21	90201-20278-00	WASHER, PLATE	1	
22	93410-20038-00	CIRCLIP	2	
23	90201-20266-00	WASHER, PLATE (1.0T)	1	
24	93313-32008-00	BEARING, CYLINDER.# 3	1	
25	93306-30517-00	BEARING	1	
26	93102-35180-00	OIL SEAL, SD-TYPE	1	
27	93210-22298-00	O-RING	1	
28	90387-25646-00	COLLAR	1	

CONTINUED ON NEXT FRAME ►

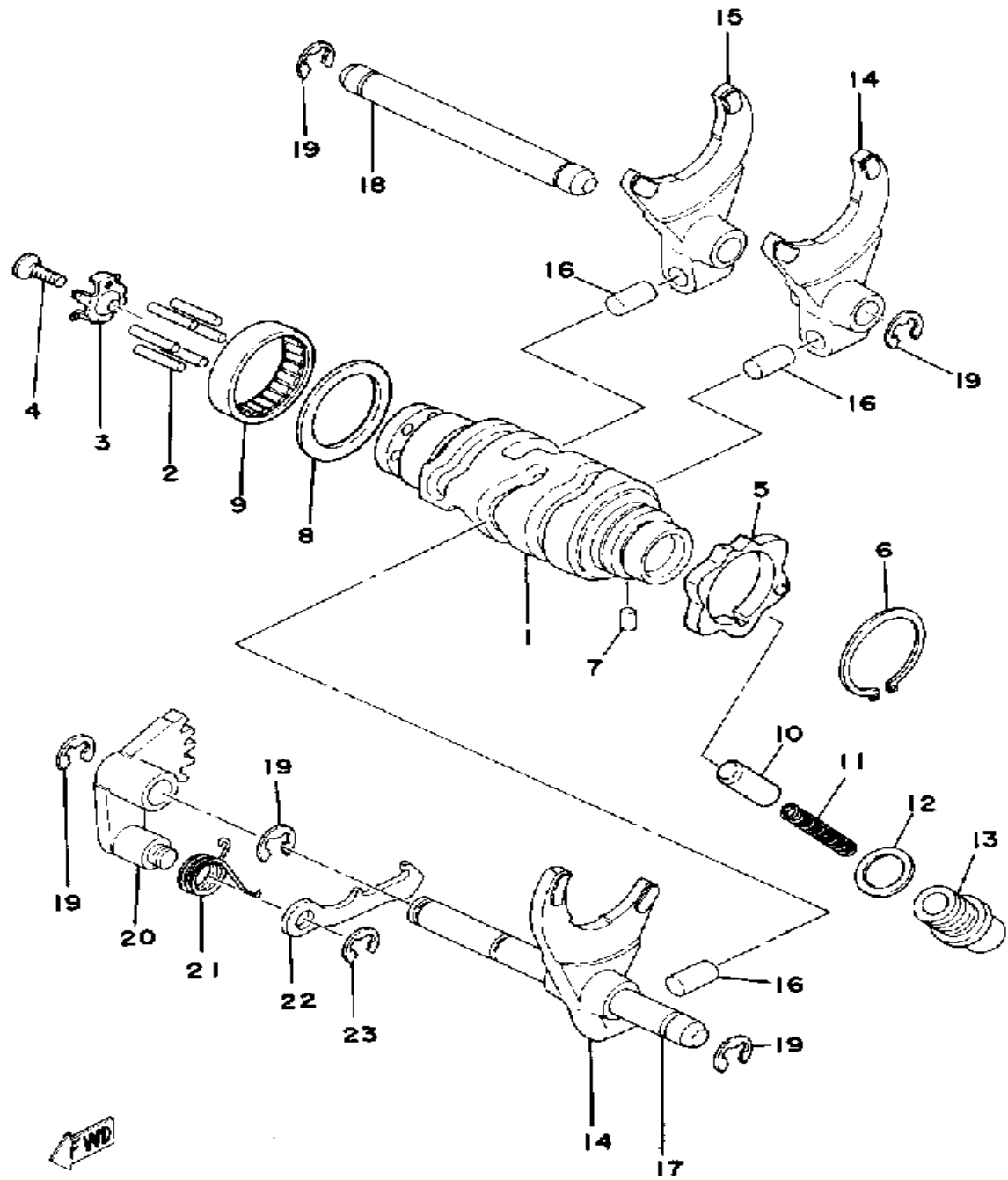
TRANSMISSION — oil type/qty chg/qty reassemble	SAE20W40 (Yamalube 4*) / See Engine
Primary drive type	Spur Gear
Secondary type/teeth/chain	Chain / 44-16 / DID50HDSS - 104L



TRANSMISSION

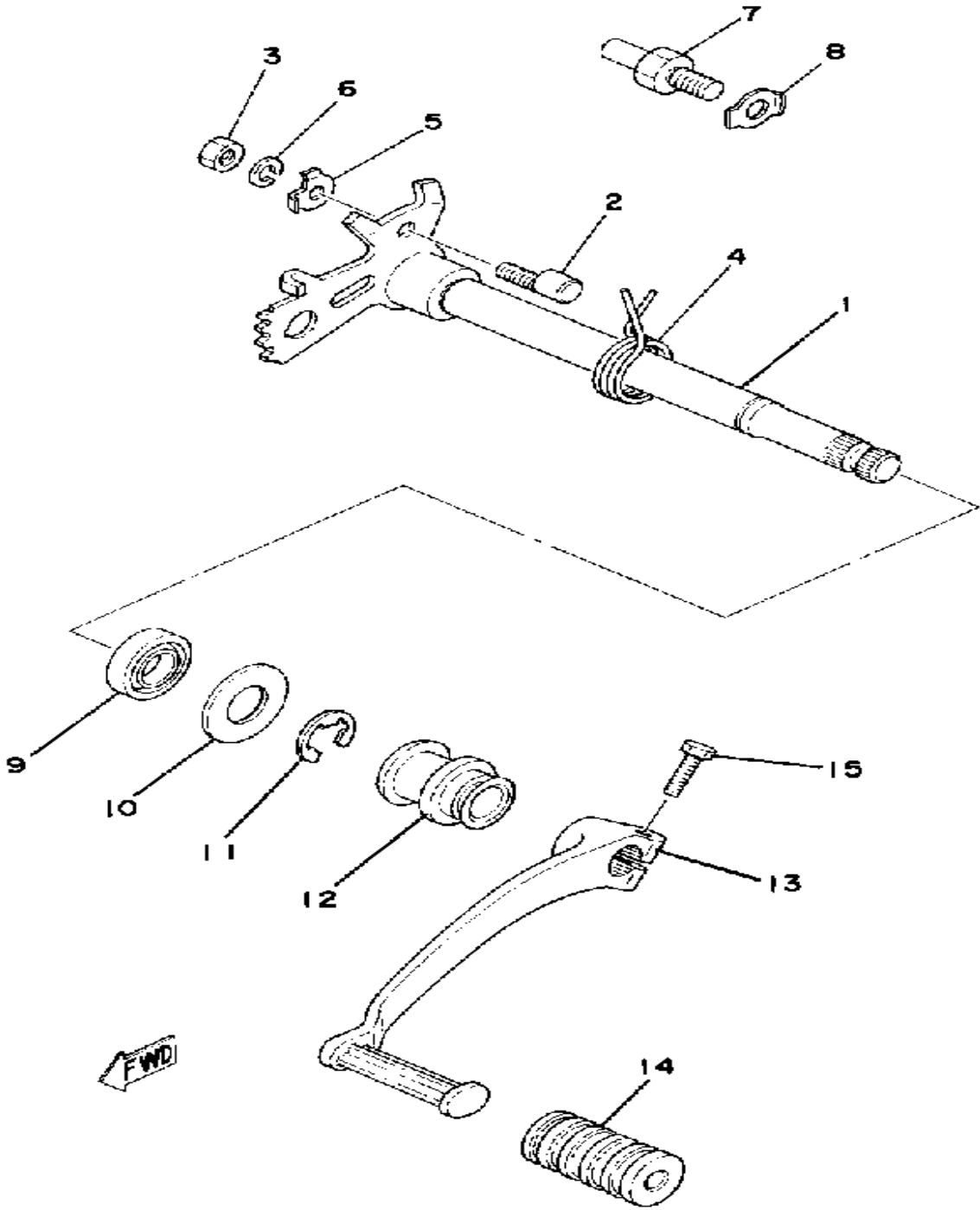
Ref. No.	Part Number	Description	Qty	Remarks
29	9385E-15090-00	SPROCKET, DRIVE 15T	1	U.R.
	9385E-16114-00	SPROCKET, DRIVE 16T	1	U.R.STD
	9385E-17132-00	SPROCKET, DRIVE 17T	1	U.R.
30	90215-21022-00	WASHER, LOCK	1	
31	90179-18020-00	NUT	1	
32	583-15651-00-00	GEAR, KICK IDLE	1	
33	90201-17255-00	WASHER, PLATE	1	
34	99009-17400-00	CIRCLIP	1	

SHIFTER 1



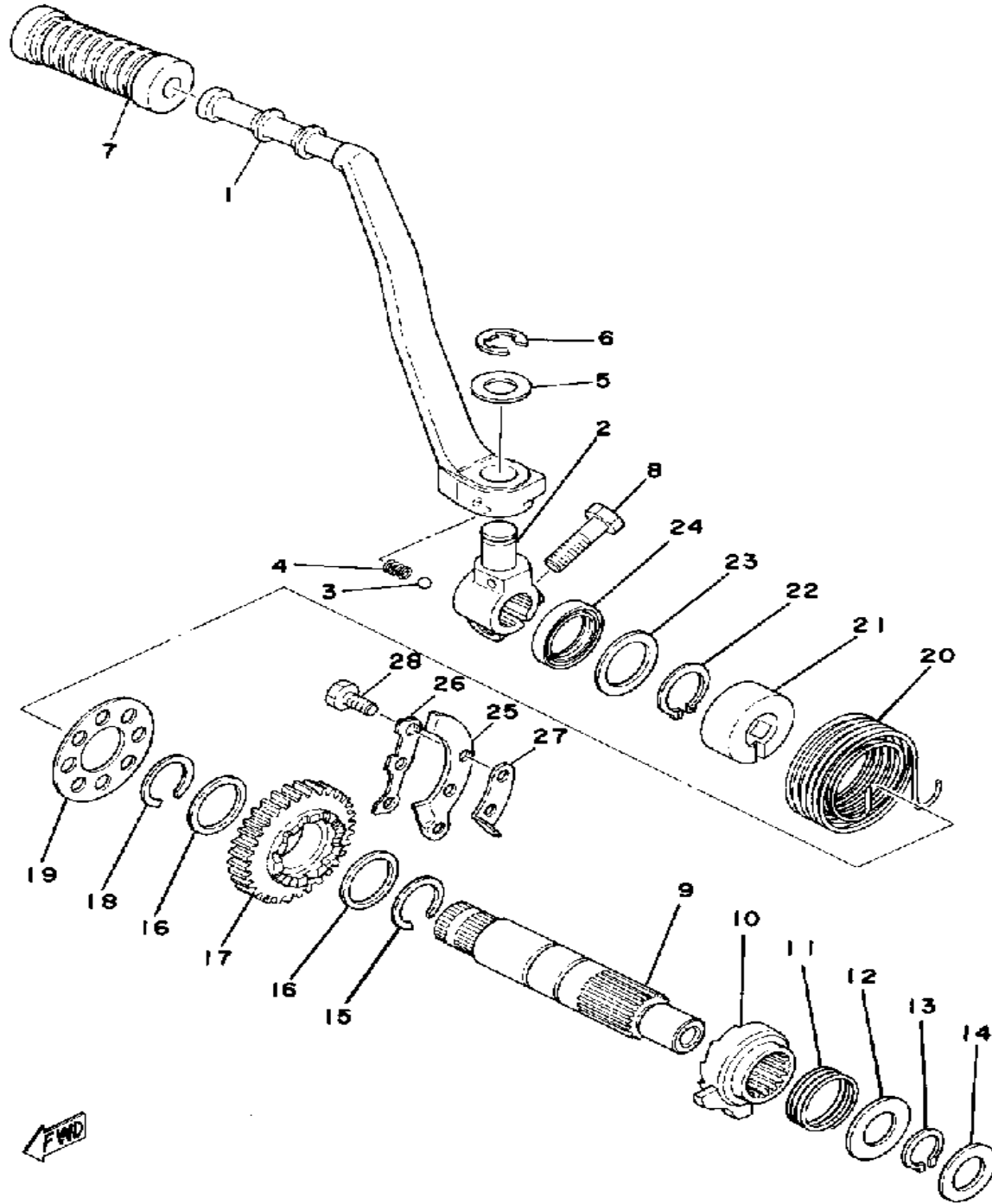
Ref. No.	Part Number	Description	Qty	Remarks
1	2J2-18540-00-00	SHIFT CAM ASSEMBLY	1	
2	93604-18100-00	PIN, DOWEL	6	
3	434-18561-00-00	PLATE, SIDE 1	1	
4	98701-05012-00	SCREW, FLAT HEAD	1	
5	2J2-W1814-00-00	PLATE, STOPPER	1	
6	99009-30400-00	CIRCLIP	1	
7	93604-08071-00	PIN, DOWEL	1	
8	90201-32673-00	WASHER, PLATE	1	
9	93315-23208-00	BEARING	1	
10	1J7-18547-00-00	STOPPER, CAM	1	
11	90501-10062-00	SPRING, COMPRESSION	1	
12	137-15353-00-00	GASKET, DRAIN	1	
13	90149-14031-00	SCREW, SPEC'L SHAPE	1	
14	364-18511-00-00	FORK, SHIFT 1	2	
15	363-18511-00-00	FORK, SHIFT 1	1	
16	90250-08017-00	PIN, STRAIGHT	3	
17	(363-18531-00-00)	BAR, SHIF FRK GDE 1	1	
18	363-18535-00-00	BAR, SHIF FRK GDE 2	1	
19	99001-08600-00	CIRCLIP	5	
20	434-18122-00-00	LEVER, SHIFT 2	1	
21	90508-08008-00	SPRING, TORSION (363-18123-00)	1	
22	498-18151-03-00	LEVER, SHIFT 3	1	
23	99080-07600-00	CIRCLIP (E)	1	

SHIFTER 2



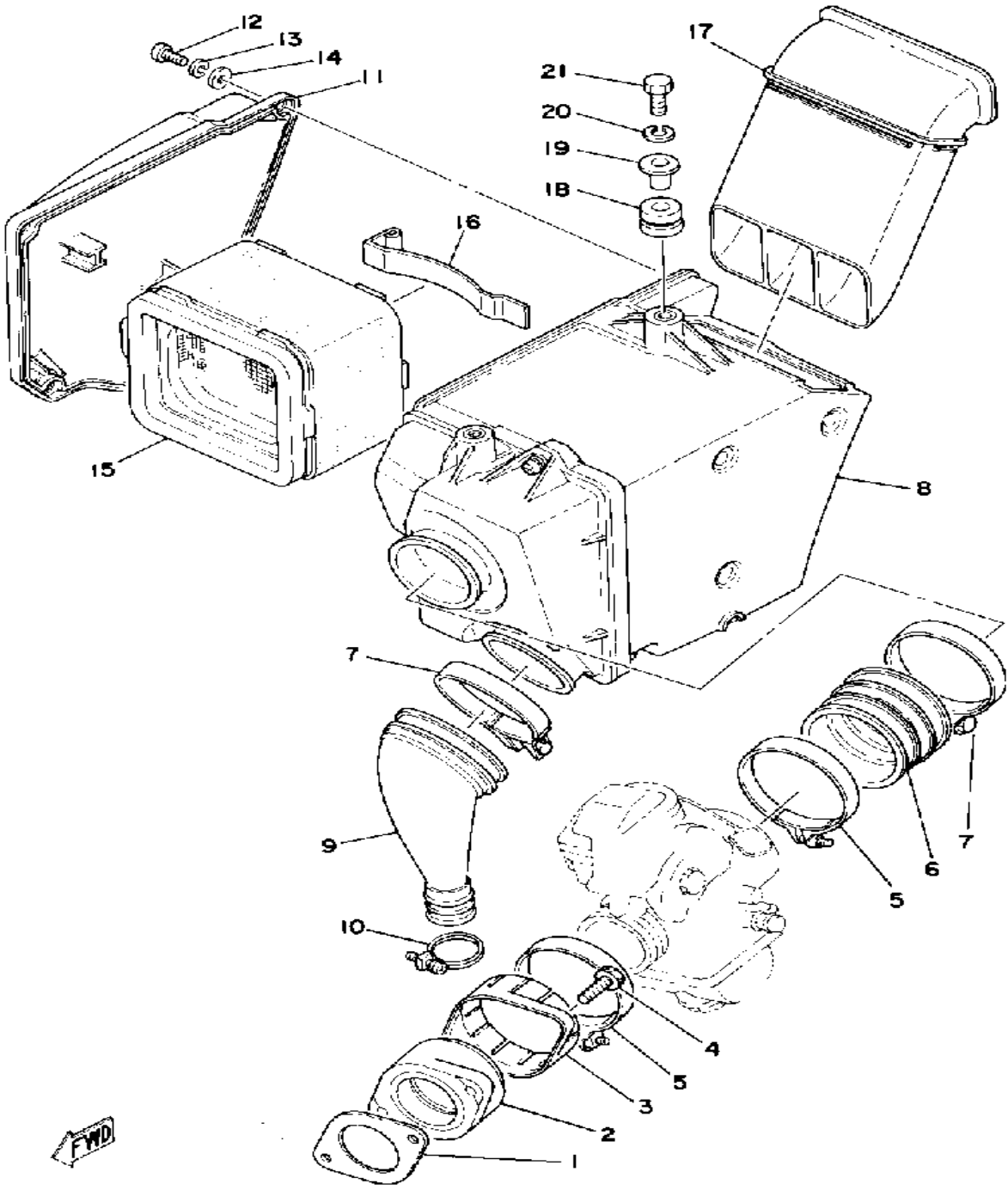
Ref. No.	Part Number	Description	Qty	Remarks
1	2J2-18103-00-00	SHAFT, SHIFT	1	
2	90149-06017-00	SCREW, SPEC'L SHAPE (214-18186-00)	1	
3	95380-06600-00	NUT	1	
4	90508-32052-00	SPRING, TORSION (214-18124-00)	1	
5	90215-06016-00	WASHER, LOCK	1	
6	92995-06100-00	WASHER, SPRING	1	
7	278-18127-00-00	STOPPER, SCREW	1	
8	90215-08115-00	WASHER, LOCK	1	
9	93109-14010-00	. OIL SEAL, SDO-TYPE	1	
10	90201-14220-00	WASHER, PLATE	1	
11	99001-12600-00	CIRCLIP	1	
12	583-18131-00-00	BOOT, SEALING	1	
13	2J2-18111-01-00	PEDAL, SHIFT	1	
14	132-18113-01-00	COVER, SHIFT PEDAL	1	
15	97011-06020-00	BOLT	1	

KICK STARTER



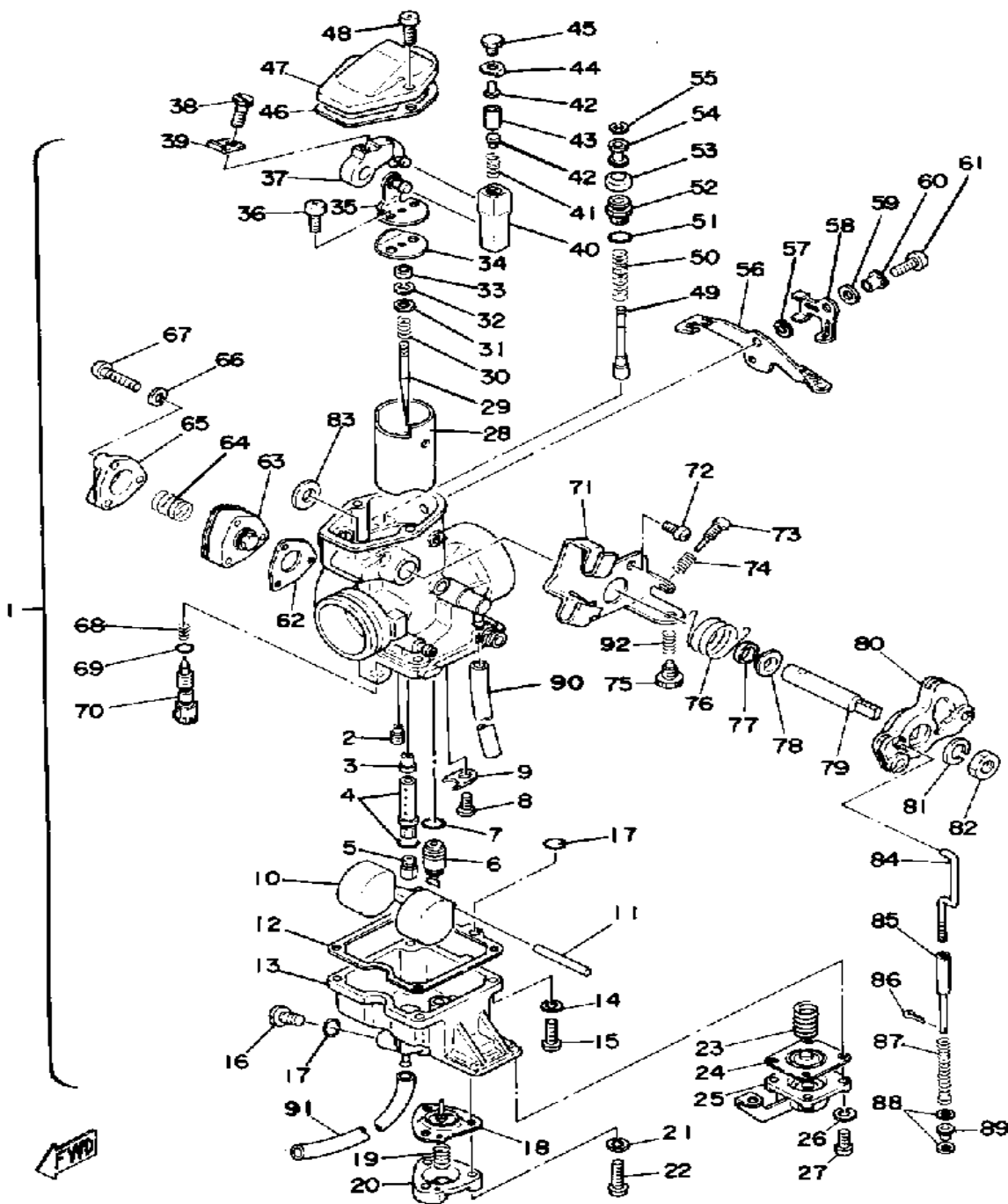
Ref. No.	Part Number	Description	Qty	Remarks
1	2J2-15610-02-00	KICK CRANK ASSEMBLY	1	
2	583-15621-00-00	BOSS, KICK CRANK	1	
3	93507-32031-00	BALL	1	
4	90501-12081-00	SPRING, COMPRESSION	1	
5	90201-15234-00	WASHER, PLATE	1	
6	99006-10600-00	CIRCLIP	1	
7	1T1-15618-00-00	COVER, KICK LEVER	1	
8	97313-08030-00	BOLT, HEXAGON	1	
9	583-15661-00-00	AXLE, KICK	1	
10	583-15671-00-00	WHEEL, RATCHET	1	
11	90501-23143-00	SPRING, COMPRESSION (363-15675-00)	1	
12	363-15676-00-00	COVER, SPRING	1	
13	99009-19400-00	CIRCLIP	1	
14	90201-20278-00	WASHER, PLATE	1	
15	93440-25020-00	CIRCLIP	1	
16	90201-253K0-00	WASHER, PLATE (T=1.0)	2	
17	583-15641-00-00	GEAR, KICK	1	
18	93440-25084-00	CIRCLIP	1	
19	(583-15676-00-00)	COVER, SPRING	1	
20	90508-32280-00	SPRING, TORSION	1	
21	(90560-25154-00)	SPACER	1	
22	93410-25010-00	CIRCLIP, S-TYPE	1	
23	90201-256K6-00	WASHER, PLATE (0.9T)	1	
24	93102-25064-00	OIL SEAL	1	
25	583-15674-00-00	GUIDE, RATCHET WHL	1	
26	363-15686-00-00	WASHER, LOCK	1	
27	434-15668-00-00	STOPPER	1	
28	97011-06016-00	BOLT	3	

INTAKE



Ref. No.	Part Number	Description	Qty	Remarks
1	583-13556-01-00	GASKET, MANIFOLD	1	
2	583-13565-01-00	JOINT, CARBURETOR	1	
3	256-13564-00-00	COVER, CARB.JOINT	1	
4	91316-06025-00	BOLT	2	
5	90460-58015-00	CLAMP, HOSE	2	
6	583-14453-00-00	JOINT, AIR CLNR 1	1	
7	90460-61063-00	CLAMP, HOSE (256-14455-00)	2	
8	2J2-14401-00-00	AIR CLNR CASE ASSEMBLY	1	
9	2J2-14463-00-00	JOINT, AIR CLNR 2	1	
10	90460-22083-00	CLAMP, HOSE	1	
11	2J2-14422-00-00	CAP, CLEANER CASE 2	1	
12	98580-05012-00	SCREW, PAN HEAD	4	
13	92990-05100-00	WASHER, SPRING	4	
14	92901-05600-00	WASHER, PLATE	4	
15	2J2-14451-00-00	ELEMENT, AIR CLNR	1	
16	2J2-14468-00-00	PLATE, ELEMENT FTNG	1	
17	(2J2-14437-00-00)	DUCT	1	
18	90480-14023-00	GROMMET	2	
19	90387-07391-00	COLLAR	2	
20	92995-06100-00	WASHER, SPRING	2	
21	97011-06025-00	BOLT (97001-06025)	2	

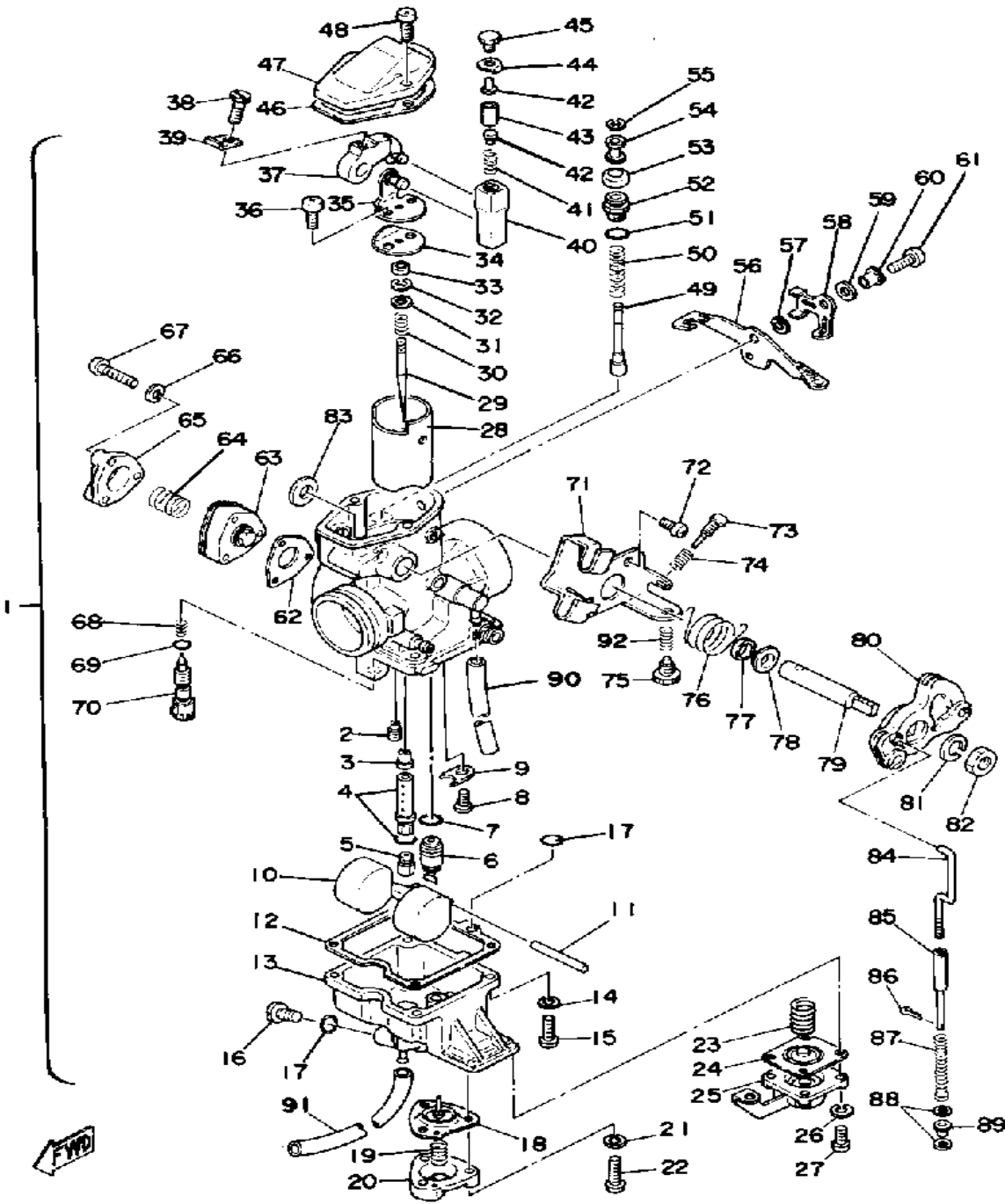
CARBURETOR



Ref. No.	Part Number	Description	Qty	Remarks
1	2J2-14101-00-00	CARBURETOR ASSEMBLY 1	1	
2	193-14142-25-A0	. JET, PILOT # 5	1	
3	2H0-14141-48-00	. NOZZLE, MAIN	1	
4	583-14148-00-00	. PIPE	1	
5	137-14143-58-A1	. JET, MAIN (# 290)	1	U.R.
	137-14143-60-A0	. JET, MAIN (# 300)	1	U.R.STD
	137-14143-62-A1	. JET, MAIN (#310)	1	U.R.
6	2H0-14190-28-00	. NEEDLE VALVE ASSEMBLY	1	
7	8F2-14147-00-00	. O-RING	1	
8	98511-04006-00	. SCREW, PAN HEAD (98501-04005)	1	
9	2H0-14146-00-00	. PLATE	1	
10	2H0-14185-00-00	. FLOAT	1	
11	537-14186-00-00	. PIN, FLOAT	1	
12	2H0-14184-00-00	. GASKET, FLOAT CHMBR	1	
13	(99999-01150-00)	BODY, FLOAT CHAMBER	1	
14	92990-05100-00	. WASHER, SPRING	4	
15	98580-05016-00	. SCREW, PAN HEAD	4	
16	2H0-14191-00-00	. PLUG, DRAIN	1	
17	583-14561-00-00	. O-RING	2	
18	2J2-14940-00-00	. DIAPHRAGM ASSEMBLY	1	
19	2J2-14933-00-00	. SPRING, DIAPHRAGM	1	
20	(2J2-14958-00-00)	COVER, DIAPHRAGM	1	
21	92901-04100-00	. WASHER, SPRING	3	
22	98580-05016-00	. SCREW, PAN HEAD	3	
23	(2H0-14589-00-00)	SPRING	1	
24	2H0-14940-00-00	. DIAPHRAGM ASSEMBLY	1	
25	2H0-14905-00-00	. LEVER, STARTER	1	
26	92901-04100-00	. WASHER, SPRING	4	

CONTINUED ON NEXT FRAME ►

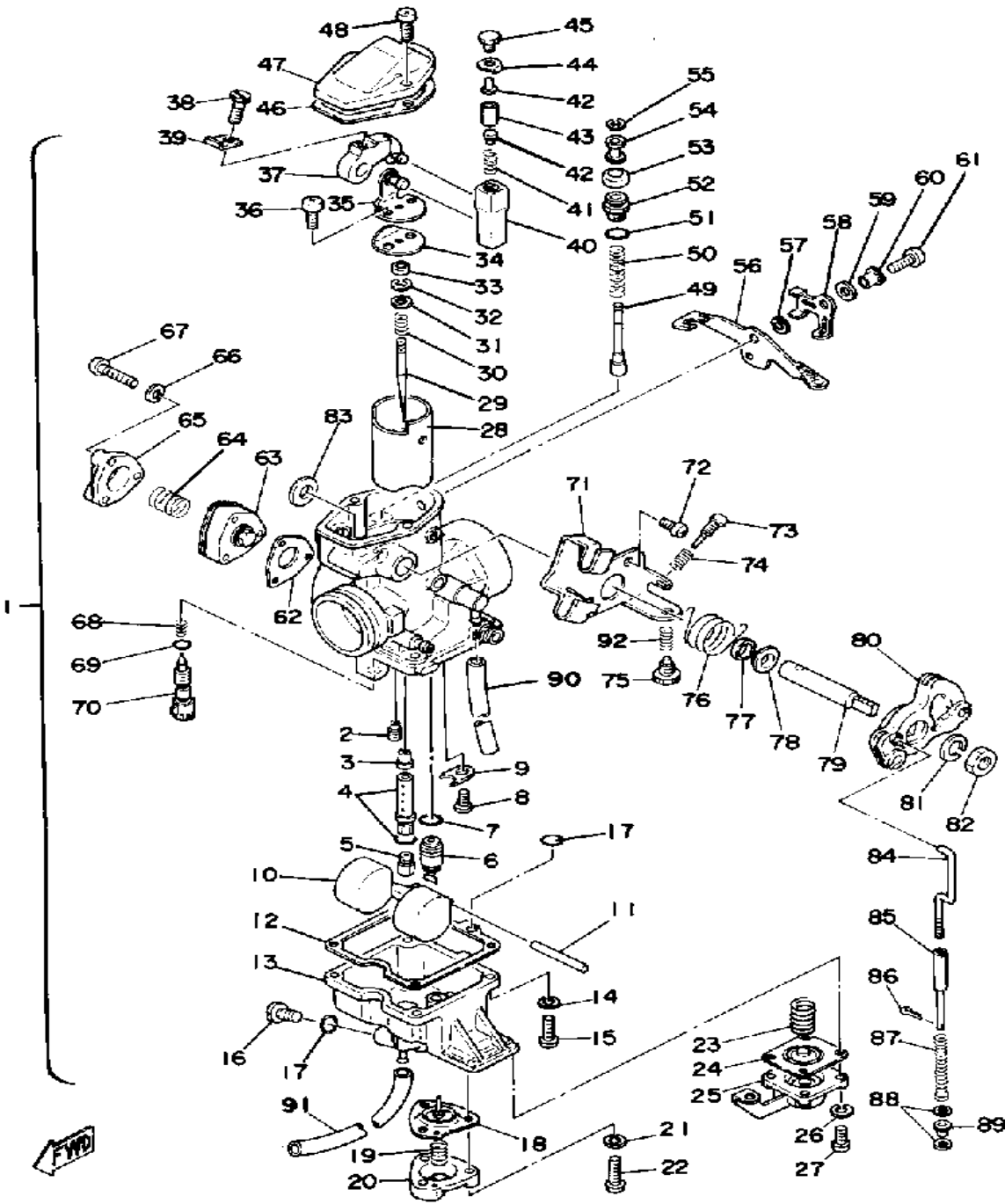
CARBURETOR



Ref. No.	Part Number	Description	Qty	Remarks
27	98511-04012-00	. SCREW, PAN HEAD	4	
28	(2H0-14112-35-00)	VALVE, THROTTLE 1	1	
29	239-14116-25-00	. NEEDLE	1	
30	2H0-14131-00-00	. SPRING, THRTL VALVE	1	
31	2H0-14235-00-00	. WASHER, NEEDLE	1	
32	164-14137-00-00	. CLIP	1	
33	2H0-14194-00-00	. RING	1	
34	(2H0-14936-00-00)	SEAT, SPRING	1	
35	(2H0-14291-00-00)	BRACKET 1	1	
36	98511-04012-00	. SCREW, PAN HEAD	2	
37	(583-14292-00-00)	LEVER, THROTTL.VALV	1	
38	583-14592-00-00	. SCREW	1	
39	(583-14597-00-00)	WASHER	1	
40	(583-14274-00-00)	CONNECTOR	1	
41	(1T2-14933-00-00)	SPRING, DIAPHRAGM	1	
42	(583-14558-00-00)	WASHER	2	
43	(583-14386-00-00)	PIN, FLOAT	1	
44	(583-14951-00-00)	WASHER	1	
45	(583-14216-00-00)	SCREW	1	
46	583-14536-00-00	. GASKET	1	
47	(583-14158-00-00)	TOP, MIXING CHAMBER	1	
48	98503-04014-00	. SCREW, PAN HEAD	2	
49	2H0-14171-00-00	. PLUNGER, STARTER	1	
50	256-14135-00-00	. SPRING, PLUNGER	1	
51	583-14562-00-00	. O-RING	1	
52	2H0-14174-00-00	. CAP, PLUNGER	1	
53	802-14173-00-00	. COVER, PLUNGER CAP	1	
54	583-14918-00-00	. RING	1	
55	737-14137-00-00	. CLIP	1	

CONTINUED ON NEXT FRAME ➤

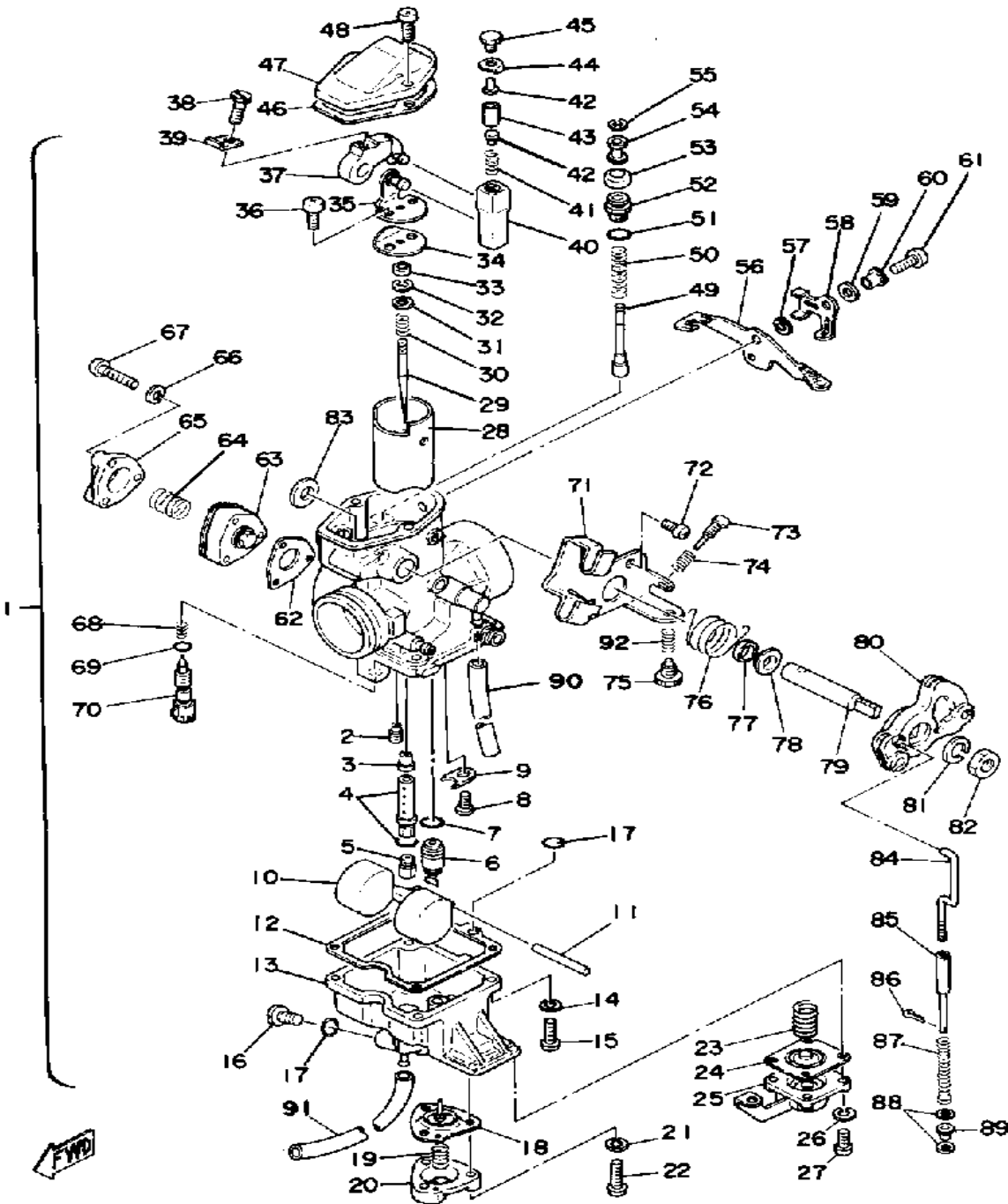
CARBURETOR



Ref. No.	Part Number	Description	Qty	Remarks
56	2H0-14175-00-00	. LEVER, STARTER 1	1	
57	2H0-14218-00-00	. SPRING, CHOKE LEVER	1	
58	(2J2-14178-00-00)	PLATE, STARTER LVR	1	
59	2J2-14962-00-00	. WASHER	1	
60	2J2-14194-00-00	. RING	1	
61	98503-06014-00	. SCREW, PAN HEAD (92502-06016)	1	
62	2H0-14198-00-00	. GASKET	1	
63	2H0-14217-00-00	. PUMP BODY ASSEMBLY.	1	
64	(2H0-14933-00-00)	SPRING, DIAPHRAGM	1	
65	(2H0-14958-00-00)	COVER, DIAPHRAGM	1	
66	92901-04100-00	. WASHER, SPRING	3	
67	98511-04025-00	. SCREW, PAN HEAD	3	
68	2H0-14212-00-00	. SPRING, PILOT ADJUSTING	1	
69	2H0-14147-00-00	. O-RING	1	
70	2H0-14211-00-00	. SCREW, PILOT ADJUSTING	1	
71	(2J2-14571-00-00)	BRACKET, THROTTLE	1	
72	98580-05012-00	. SCREW, PAN HEAD	2	
73	583-14245-00-00	. SCREW, GUIDE	1	
74	583-14133-00-00	. SPRING, THRTL STOP	1	
75	(2J2-14121-00-00)	SCREW, THRTL STOP	1	
76	583-14131-01-00	. SPRING, THRTL VALVE	1	
77	583-14239-01-00	. SEAL	1	
78	583-14265-00-00	. COLLAR	1	
79	(2H0-14215-00-00)	SHAFT, THRTL LEVER	1	
80	2J2-14573-00-00	. BRACKET	1	
81	92990-08100-00	. WASHER	1	
82	812-14594-00-00	. NUT	1	
83	583-14264-00-00	. SPACER	1	

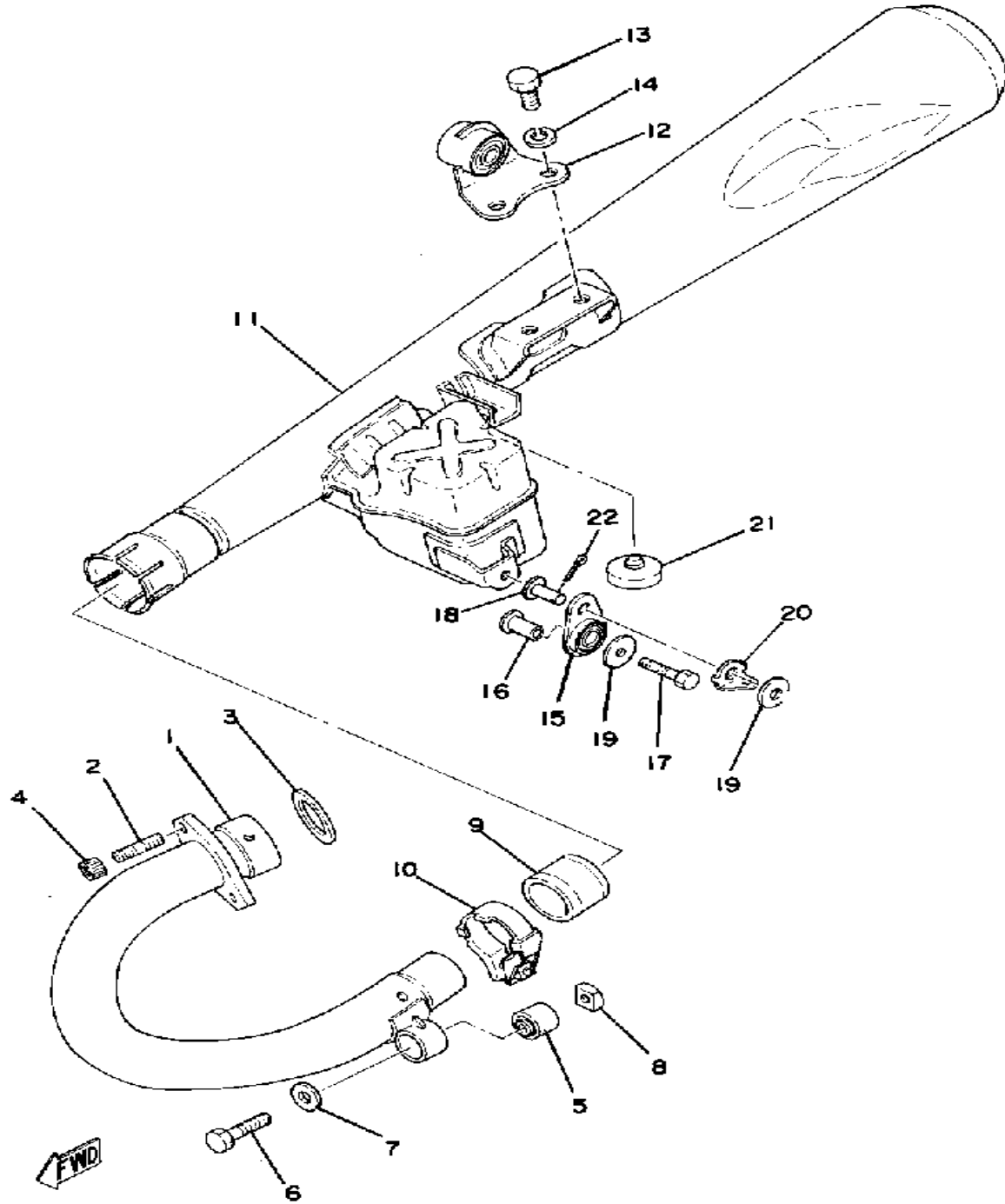
CONTINUED ON NEXT FRAME ►

CARBURETOR



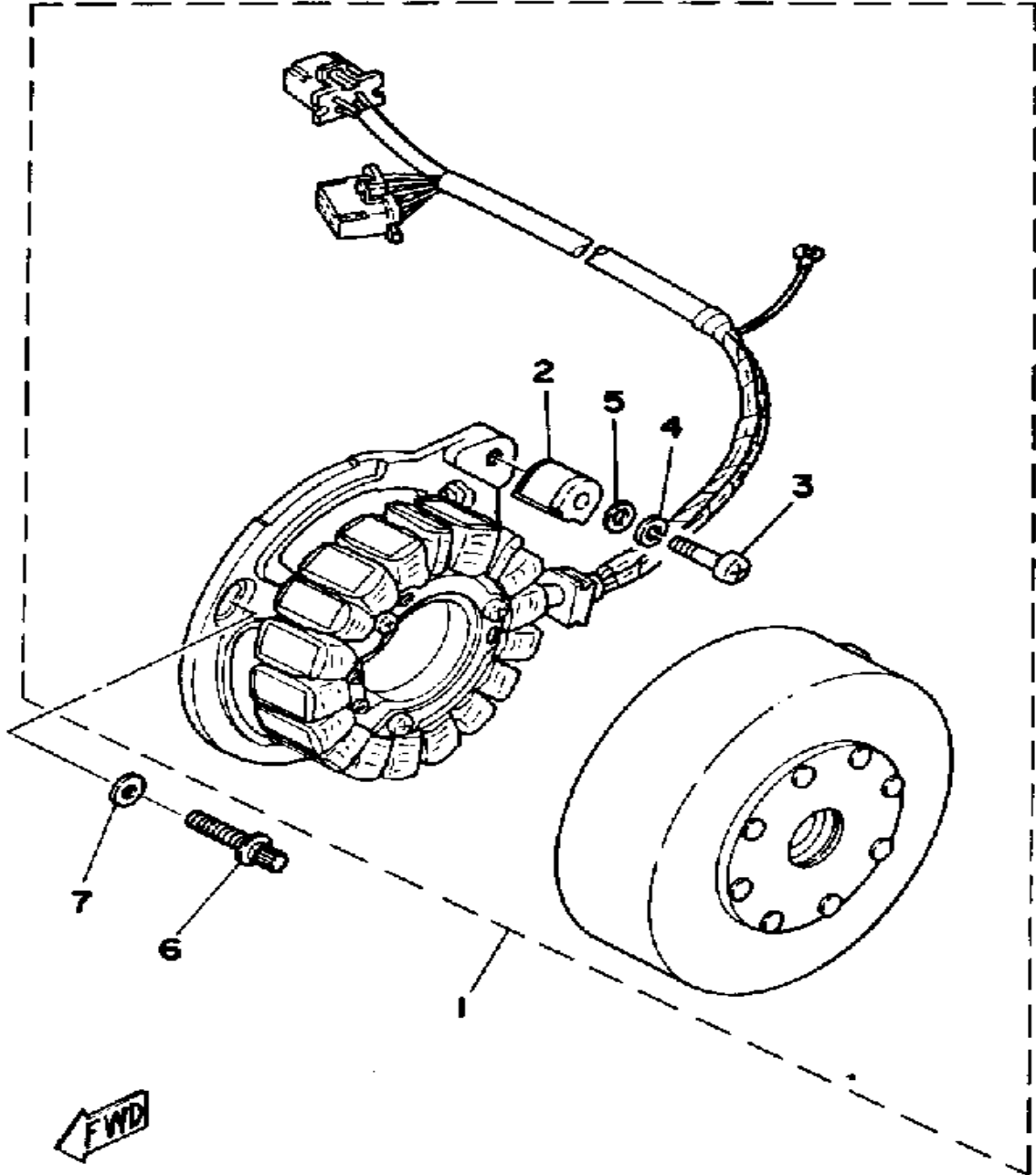
Ref. No.	Part Number	Description	Qty	Remarks
84	2J2-14992-00-00	. ROD	1	
85	2H0-14992-00-00	. ROD	1	
86	91401-10015-00	. PIN, COTTER	1	
87	2J2-14589-00-00	. SPRING	1	
88	2H0-14227-00-00	. WASHER	2	
89	2H0-14534-00-00	. COLLAR	1	
90	90445-081F2-00	. HOSE	1	
91	2J2-14196-00-00	. PIPE	1	
92	2J2-14133-00-00	. SPRING, THROTTLE STOP ..	1	

EXHAUST



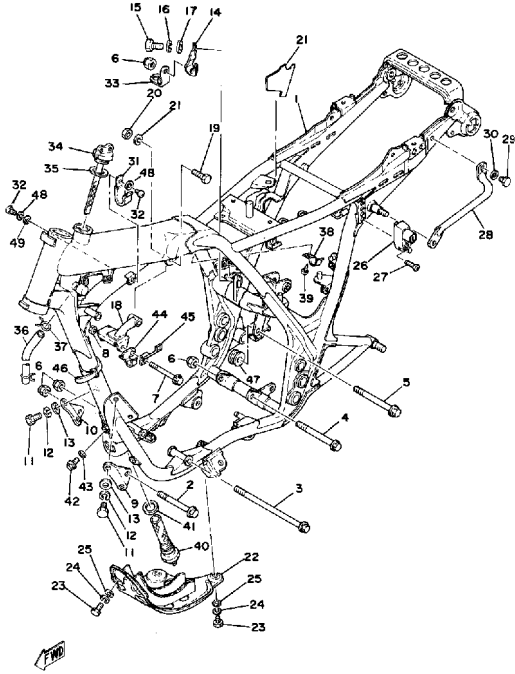
Ref. No.	Part Number	Description	Qty	Remarks
1	2J2-14611-01-00	PIPE, EXHAUST L	1	
2	95621-08615-00	BOLT, STUD	2	
3	90430-38054-00	GASKET	1	
4	90179-08004-00	NUT	2	
5	2J2-14737-01-00	DAMPER, MUFFLER	1	
6	97313-08045-00	BOLT	1	
7	92990-08100-00	WASHER	1	
8	95333-08600-00	NUT	1	
9	3GW-14714-00-00	GASKET, MUFFLER	1	
10	2J2-14788-00-00	BAND, SILENCER	1	
11	2J2-14711-80-00	MUFFLER L	1	
12	2J2-14771-01-00	STAY, MUFFLER 1	1	
13	97026-10020-00	BOLT	2	
14	92906-10100-00	WASHER, SPRING	2	
15	2J2-14791-00-00	STAY, MUFFLER	1	
16	90387-08664-00	COLLAR	1	
17	97313-08035-00	BOLT, HEXAGON	1	
18	91701-08018-00	PIN	1	
19	90201-08649-00	WASHER, PLATE	2	
20	90465-08134-00	CLAMP	1	
21	371-27114-00-00	STOPPER, MAIN STAND	1	
22	91401-25020-00	PIN, COTTER	1	

A - C - MAGNETO



90890-01189-00 MAGNETO FLYWHEEL PULLER (UNIVERSAL)

Ref. No.	Part Number	Description	Qty	Remarks
1	2J2-81400-50-00	AC MAGNET GEN ASSEMBLY	1	
2	2J2-81416-50-00	. COIL, PULSER	1	
3	98580-05035-00	. SCREW, PAN HEAD	1	
4	92990-05100-00	. WASHER, SPRING	1	
5	92901-05600-00	. WASHER, PLATE	1	
6	3J3-81674-00-00	BOLT	3	
7	90201-06643-00	WASHER, PLATE	3	

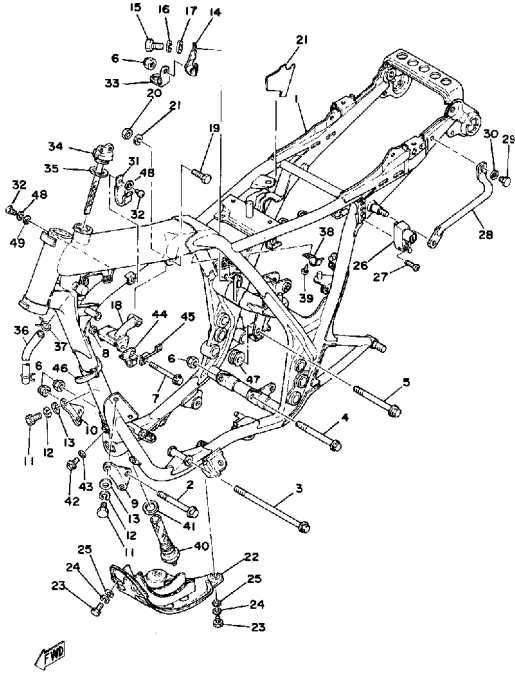


FRAME

Ref. No.	Part Number	Description	Qty	Remarks
1	(2J2-21110-00-33)	FRAME	1	YAMAHA BLACK
2	90105-10039-00	BOLT, WASHER BASED	1	M10-100L
3	90105-10113-00	BOLT, WASHER BASED	1	M10-185L
4	90105-10050-00	BOLT, WASHER BASED	1	M10-110L
5	90105-10119-00	BOLT, WASHER BASED	1	M10-135L
6	90185-10060-00	NUT, SELF-LOCKING	4	
7	90105-08118-00	BOLT, WASHER BASED	1	M8-80L
8	90185-08089-00	NUT, SELF-LOCKING	1	
9	2J2-21315-00-33	STAY, ENGINE 2	1	YAMAHA BLACK
10	2J2-21316-00-33	STAY, ENGINE 3	1	YAMAHA BLACK
11	97313-08018-00	BOLT, HEXAGON (97301-08016)	4	
12	92990-08100-00	WASHER	4	
13	92901-08600-00	WASHER	4	
14	2J2-21317-01-00	STAY, ENGINE 4	1	
15	97013-08025-00	BOLT	2	
16	92990-08100-00	WASHER	2	
17	92901-08600-00	WASHER	2	
18	2J2-21318-01-00	STAY, ENGINE 5	1	
19	97313-08040-00	BOLT, HEXAGON (97322-08040)	1	
20	90185-08089-00	NUT, SELF-LOCKING	1	
21	(2J2-2117F-00-00)	COVER	1	
22	3X4-21471-00-90	PROTECTOR, ENGINE	1	
23	97313-06016-00	BOLT, HEXAGON	4	
24	92995-06100-00	WASHER, SPRING	4	
25	90201-06M08-00	WASHER, PLATE	4	
26	26H-21308-00-00	HELMET HANGER ASSEMBLY (4R8-21308-00)	1	
27	98701-06030-00	SCREW, FLAT HEAD	1	
28	2J2-21165-00-00	HANDLE, STANDING	1	

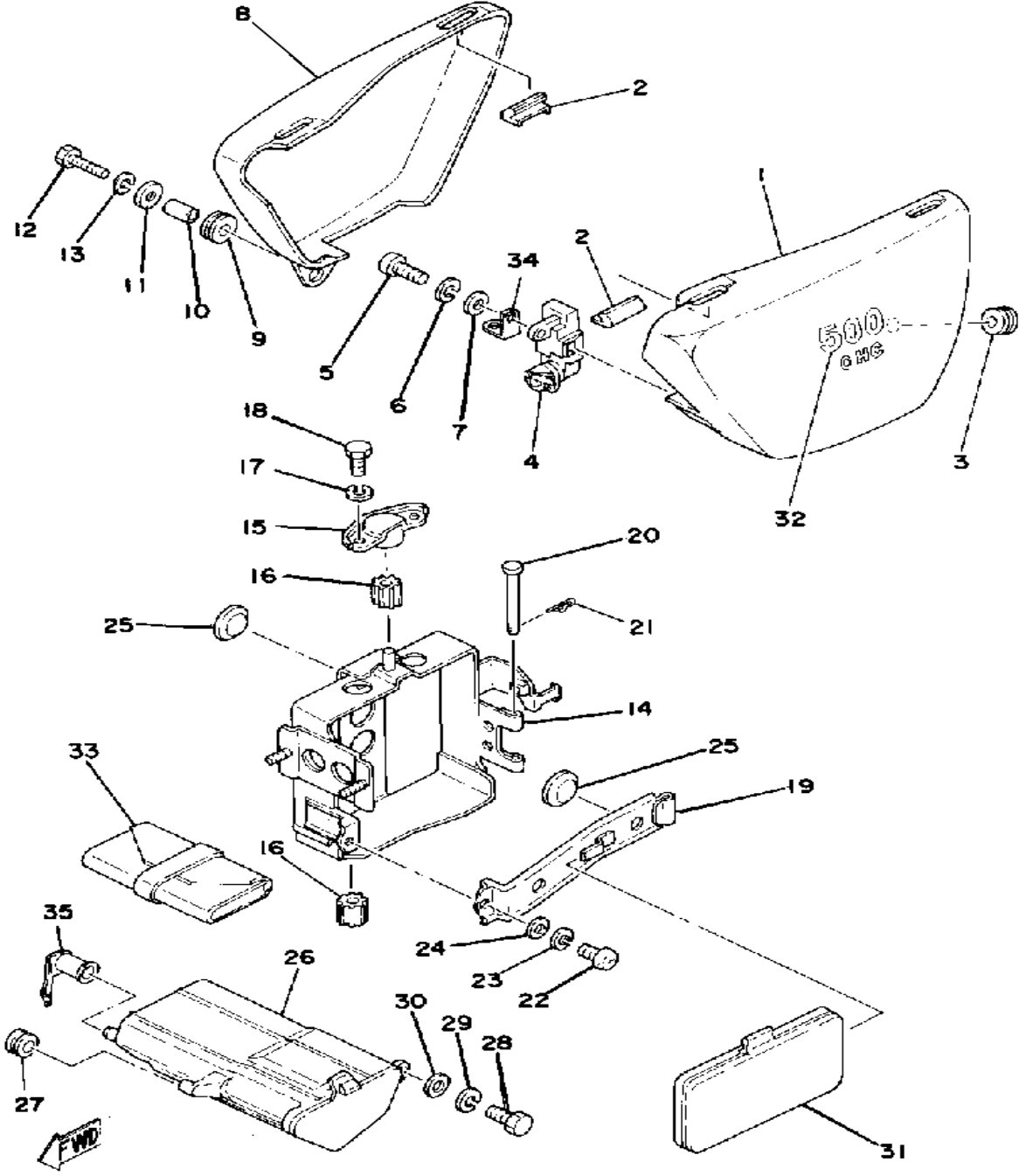
CONTINUED ON NEXT FRAME ►

FRAME



Ref. No.	Part Number	Description	Qty	Remarks
29	97013-06012-00	BOLT	1	
30	92901-06600-00	WASHER	1	
31	(90465-10018-00)	CLAMP	1	
32	98580-05012-00	SCREW, PAN HEAD	1	
33	2J2-2144G-00-00	STAY, STOP SWITCH	1	
34	2J2-21771-02-00	BODY, CAP	1	
35	90430-27124-00	GASKET	1	
36	90445-11289-00	HOSE	1	
37	90467-10008-00	CLIP	2	
38	(2J2-21335-00-00)	CLAMP, WIRE HRNES 1	1	
39	97780-50110-00	SCREW, TAPPING	1	
40	583-21756-00-00	NET, FILTER	1	
41	90430-22123-00	GASKET	1	
42	90105-08003-00	BOLT, WASHER BASED (834-6777-00)	1	
43	90201-08087-00	WASHER, PLATE	1	
44	90465-10090-00	CLAMP	2	
45	(90465-08144-00)	CLAMP	1	
46	437-83936-11-00	BAND, SWITCH CORD	2	
47	2J2-21459-01-00	SPACER	1	
48	92990-05100-00	WASHER, SPRING	2	
49	92990-05200-00	WASHER, PLAIN	1	

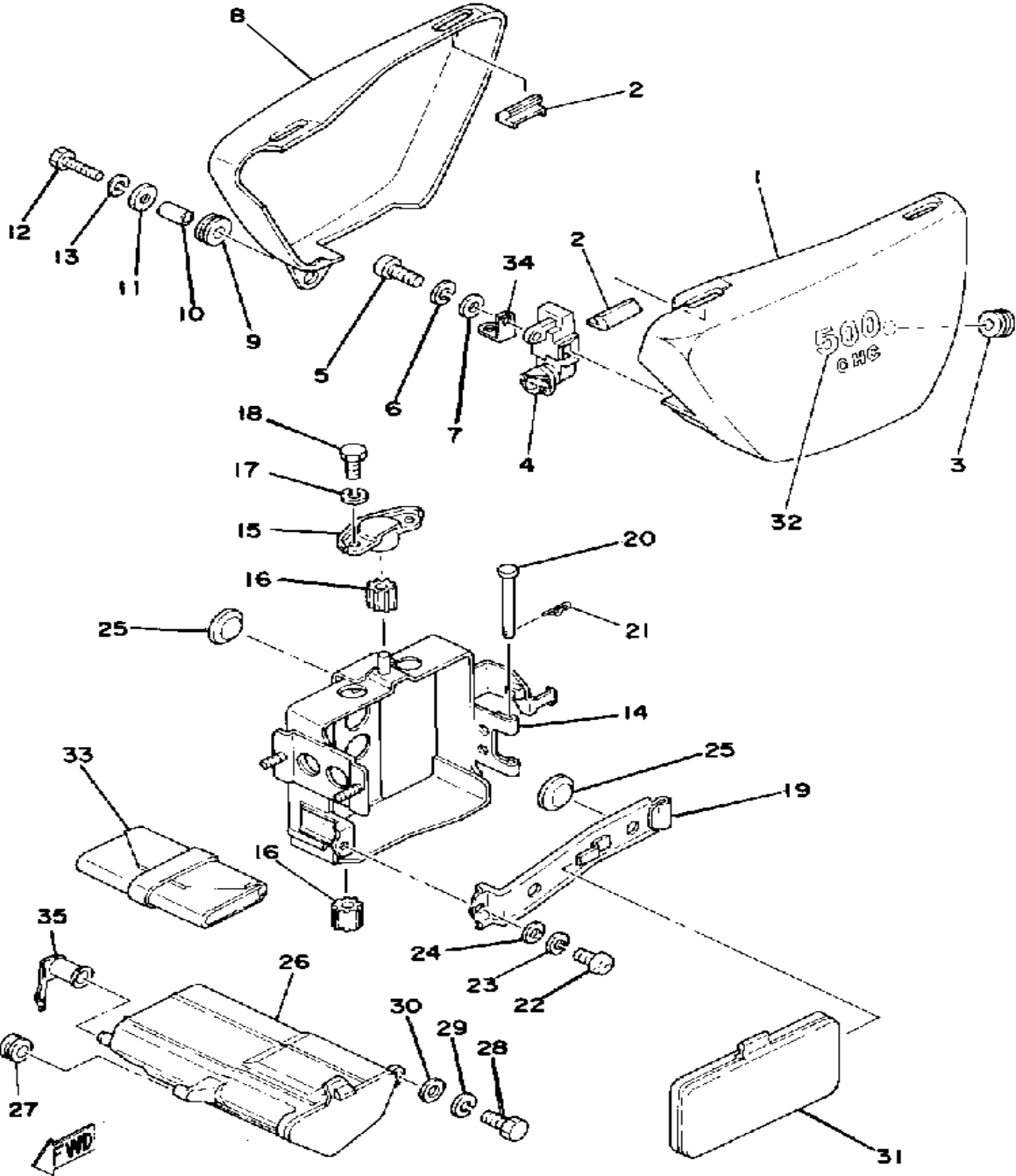
SIDE COVER - BATTERY BOX



Ref. No.	Part Number	Description	Qty	Remarks
1	2J2-21711-01-33	COVER, SIDE 1	1	BLACK GOLD
	2J2-21711-01-H8	COVER, SIDE 1	1	STAR RED
2	466-21717-00-00	DAMPER, SIDE COVER	4	
3	90480-12236-00	GROMMET	1	
4	4R8-21708-00-00	SIDE CVR LOCK ASSEMBLY	1	
5	97313-06016-00	BOLT, HEXAGON	2	
6	92995-06100-00	WASHER, SPRING	2	
7	92901-06600-00	WASHER	2	
8	2J2-21721-01-H8	COVER, SIDE 2	1	STAR RED
	2J2-21721-01-H9	COVER, SIDE 2	1	BLACK GOLD
9	90480-14105-00	GROMMET	1	
10	90387-06028-00	COLLAR	1	
11	90201-06067-00	WASHER, PLATE	1	
12	97021-06030-00	BOLT	1	
13	92995-06100-00	WASHER, SPRING	1	
14	2J2-21170-00-00	BOX, BATT.	1	
15	2J2-21149-01-00	BRACKET, BATT BOX	1	
16	2J2-21729-00-00	CLAMP, DAMPER	3	
17	92995-06100-00	WASHER, SPRING	2	
18	97011-06010-00	BOLT	2	
19	(2J2-2176E-00-00)	PLATE	1	
20	91701-05055-00	PIN, CLEVIS	1	
21	90468-10050-00	CLIP	1	
22	98580-06012-00	SCREW, PAN HEAD	1	
23	92995-06100-00	WASHER, SPRING	1	
24	92901-06600-00	WASHER	1	
25	371-82121-00-00	PAD, BATTERY	4	
26	2J2-21240-01-00	BOX, TOOL	1	
27	90480-15058-00	GROMMET	1	

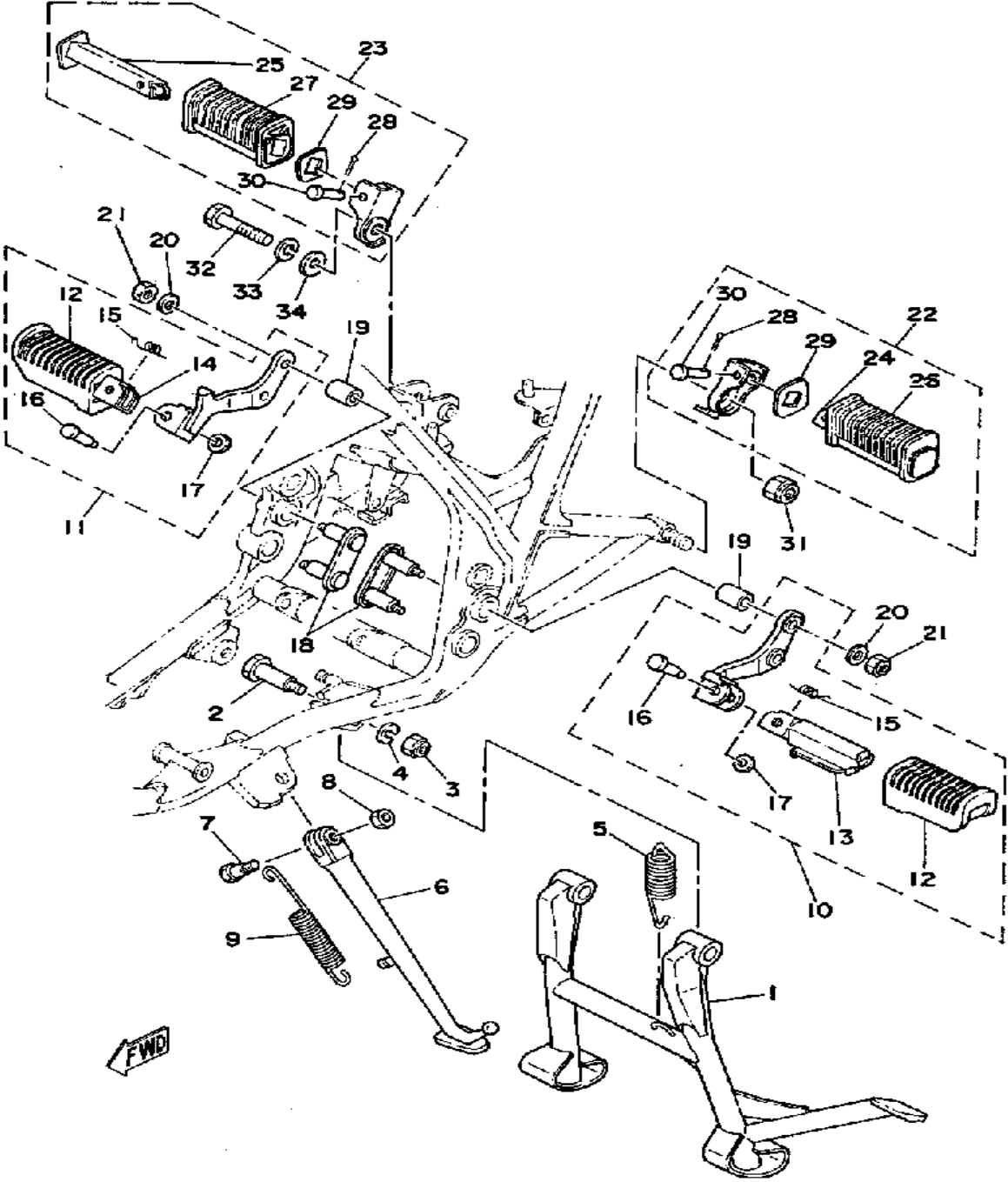
CONTINUED ON NEXT FRAME ➤

SIDE COVER - BATTERY BOX



Ref. No.	Part Number	Description	Qty	Remarks
28	97301-06014-00	BOLT, HEXAGON	1	
29	92995-06100-00	WASHER, SPRING	1	
30	90201-06M08-00	WASHER, PLATE	1	
31	(2J2-21245-00-00)	BOX	1	
32	(2J2-21781-00-00)	EMBLEM 1	2	
33	1JN-W2810-00-00	TOOL KIT (1E6-28100-10)	1	
34	(2J2-21794-00-00)	HOLDER, KNOB	1	
35	(2J2-21172-00-00)	STOPPER, BOX	1	

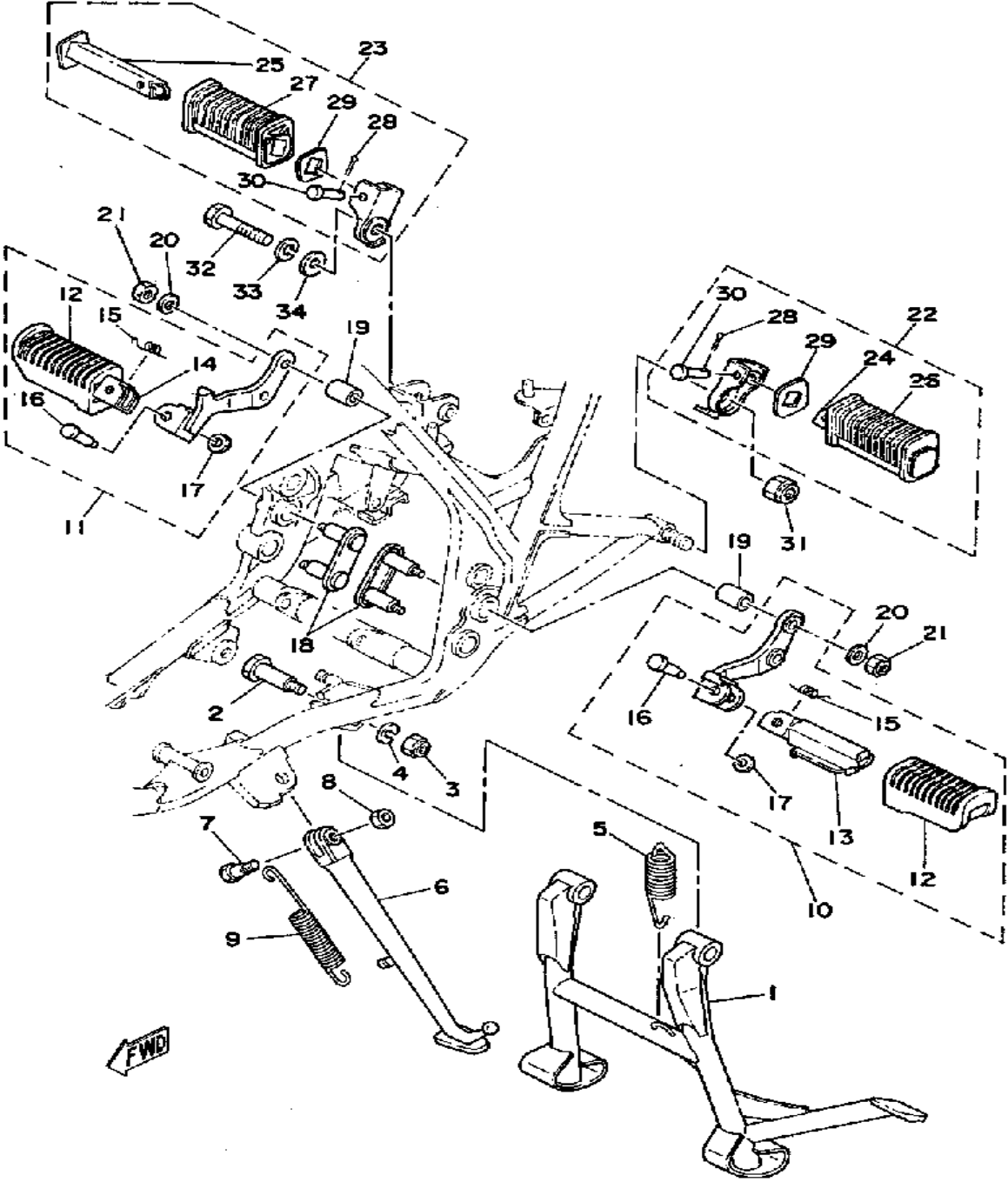
STAND - FOOTREST



Ref. No.	Part Number	Description	Qty	Remarks
1	2J2-27111-00-00	STAND, MAIN	1	
2	90109-10497-00	BOLT	2	
3	95601-10100-00	NUT, U (95602-10100-00)	2	
4	92990-10100-00	WASHER, SPRING	1	
5	90506-40175-00	SPRING, TENSION	1	
6	1JN-27311-00-00	STAND, SIDE	1	
7	90109-103A1-00	BOLT	1	
8	90185-10037-00	NUT, SELF-LOCKING	1	
9	90506-28146-00	SPRING, TENSION	1	
10	2J2-27410-01-00	FRT FOOTREST ASSEMBLY L (2J2-27410-00)	1	
11	2J2-27420-02-00	FRT FOOTREST ASSEMBLY R (2J2-27420-00)	1	
12	4L0-27423-00-00	. COVER, FOOTREST	2	
13	3CK-27451-00-00	. FOOTREST	1	
14	3N6-27461-00-00	. FOOTREST	1	
15	90508-20023-00	. SPRING, TORSION	2	
16	90243-08006-00	. PIN	2	
17	90201-06042-00	. WASHER, PLATE	2	
18	2J2-27416-01-00	BOLT, FOOTREST	2	
19	2J2-27414-01-00	DAMPER, FOOTREST	4	
20	92990-08200-00	WASHER, PLAIN	4	
21	95611-08100-00	NUT, U	4	
22	2J2-27430-02-00	RR FOOTREST ASSEMBLY 1	1	
23	2J2-27440-01-00	RR FOOTREST ASSEMBLY 2	1	
24	447-27431-00-00	. FOOTREST, REAR 1	1	
25	447-27441-00-00	. FOOTREST, REAR 2	1	
26	1J7-27433-00-00	. COVER, RR FOOTREST	1	
27	1J7-27444-00-00	. COVER, RR FOOTREST	1	

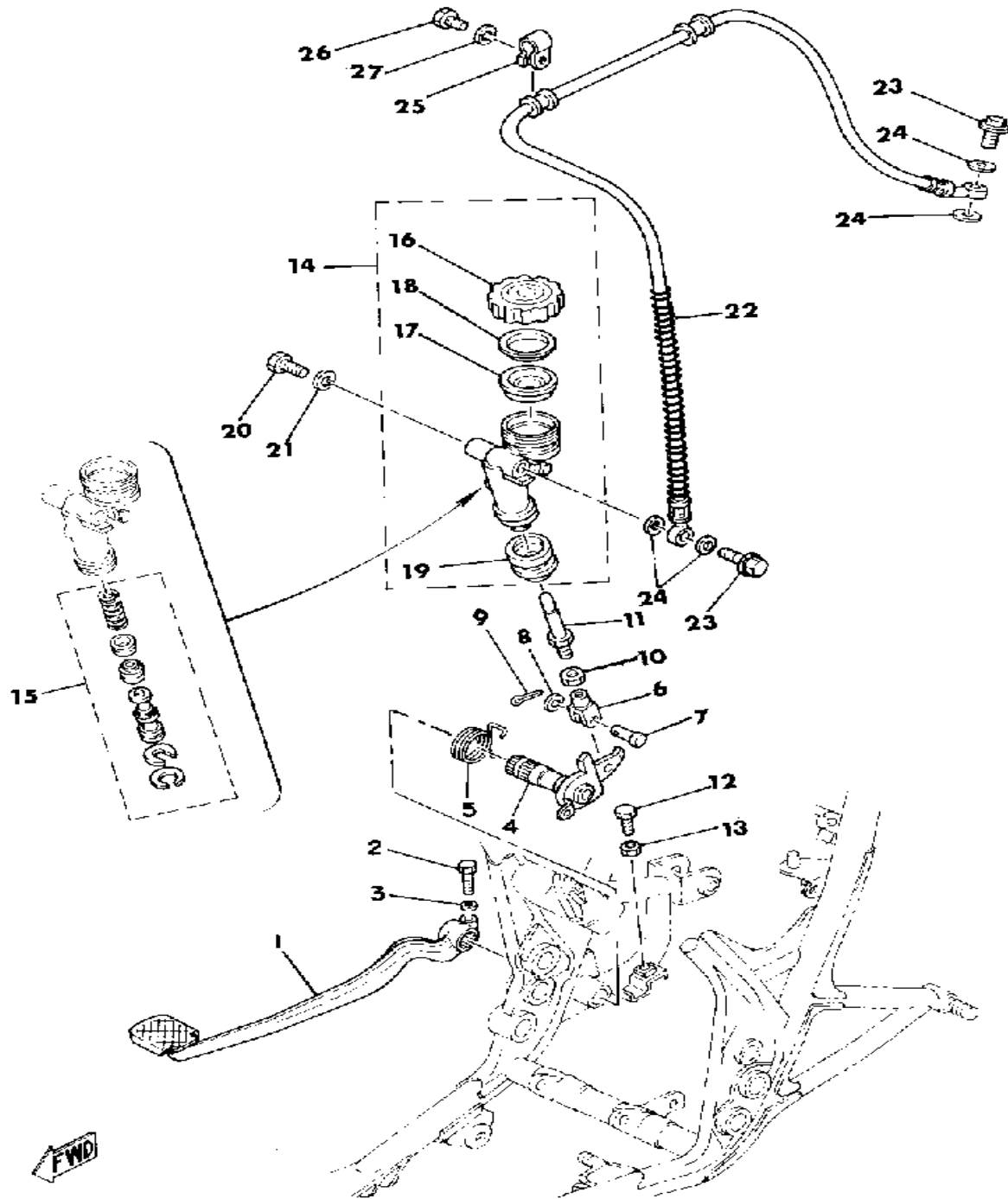
CONTINUED ON NEXT FRAME ►

STAND - FOOTREST



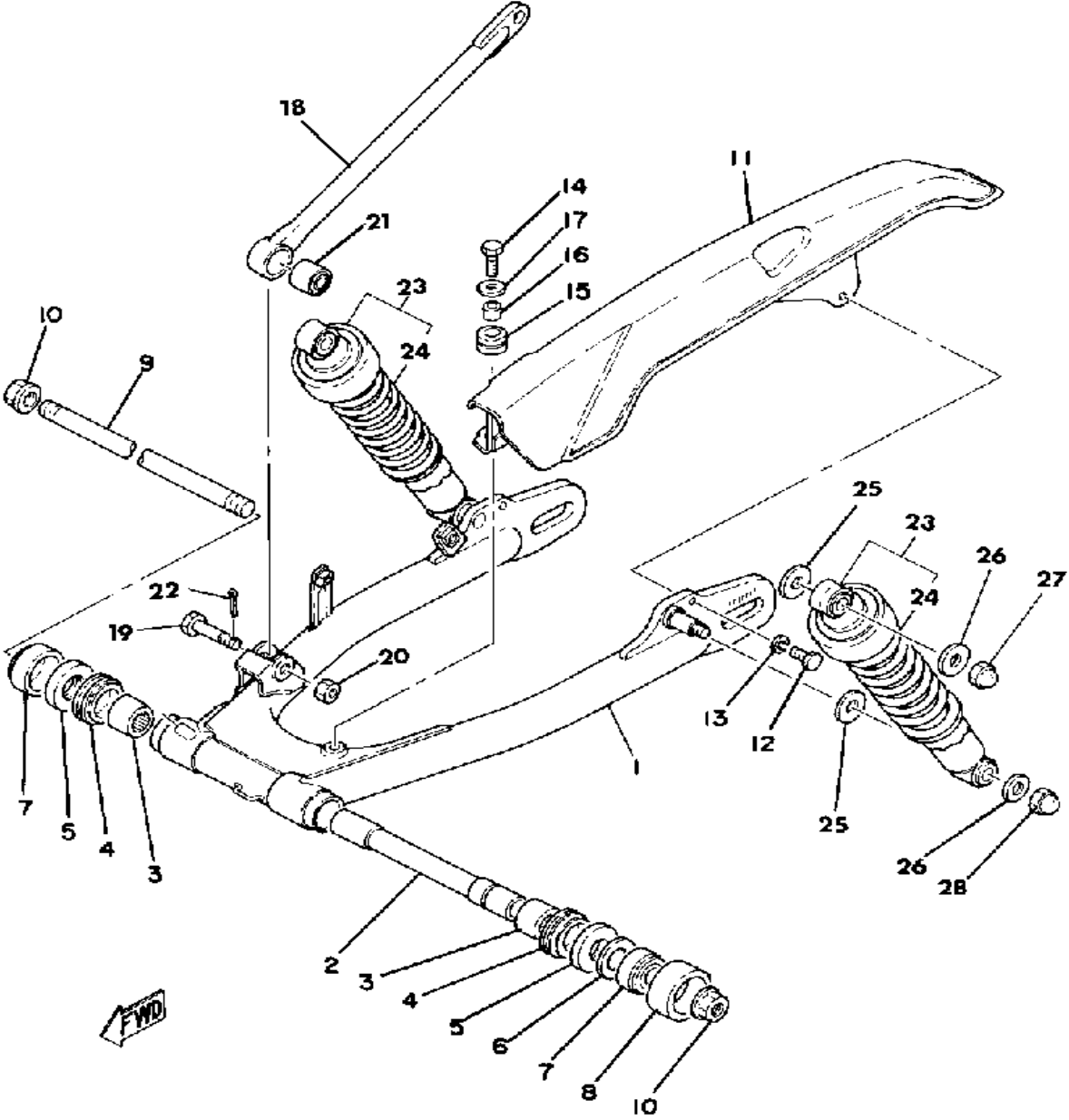
Ref. No.	Part Number	Description	Qty	Remarks
28	91490-16020-00	. PIN, COTTER	2	
29	90209-18070-00	. WASHER, SPECL SHAP	2	
30	91701-06035-00	. PIN, CLEVIS	2	
31	90185-12046-00	NUT, SELF-LOCKING	1	
32	97021-12055-00	BOLT, HEXAGON	1	
33	92901-12100-00	WASHER, SPRING	1	
34	90201-13502-00	WASHER, PLATE	1	

BRAKE PEDAL - REAR MASTER CYLINDER



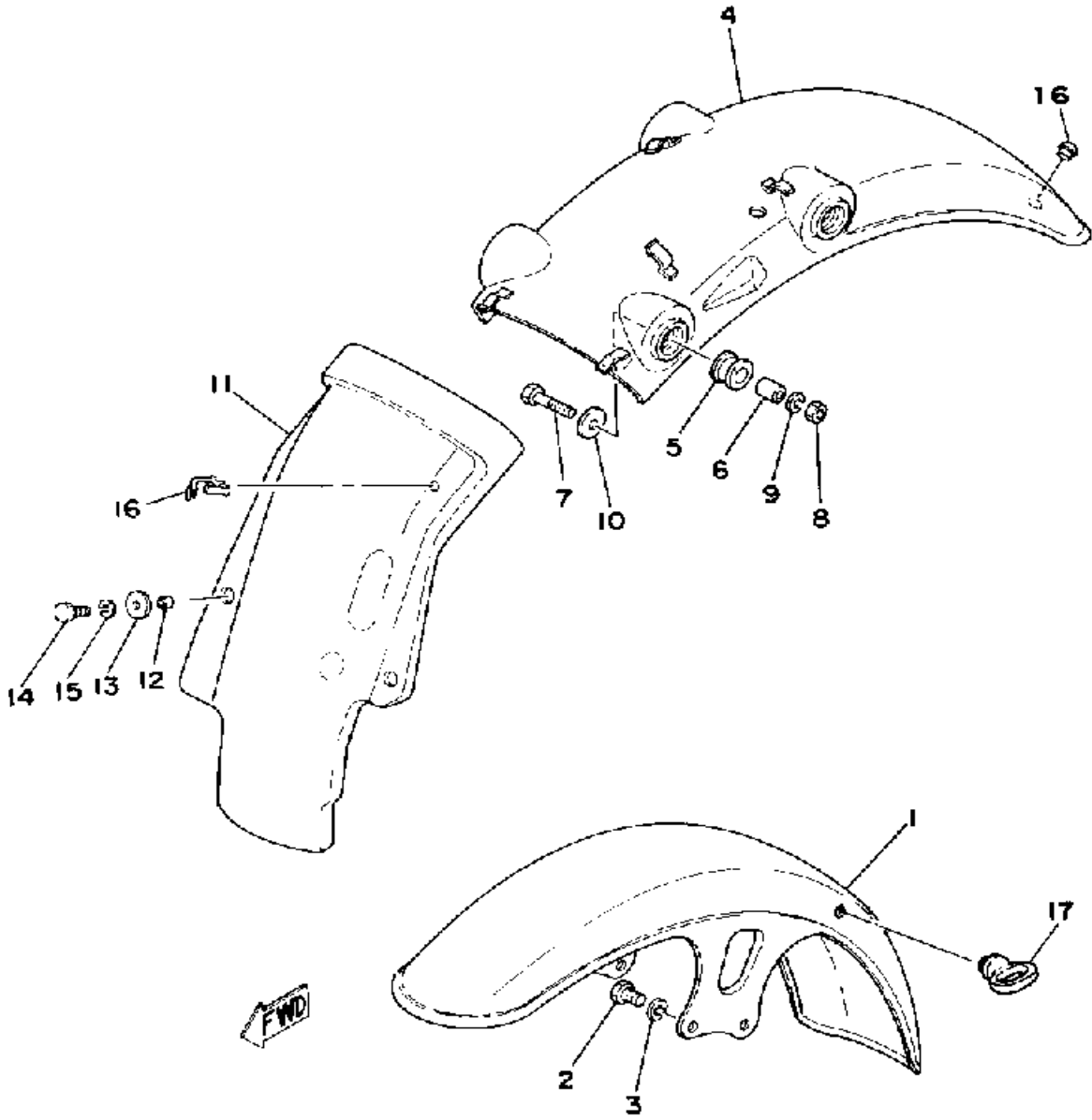
Ref. No.	Part Number	Description	Qty	Remarks
1	2J2-27211-01-00	PEDAL, BRAKE	1	
2	90109-06468-00	BOLT	1	
3	92995-06100-00	WASHER, SPRING	1	
4	(2J2-27212-02-00)	SHAFT, BRAKE PEDAL	1	
5	90508-40364-00	SPRING, TORSION	1	
6	1J3-27222-01-00	JOINT	1	
7	90240-08013-00	PIN, CLEVIS	1	
8	90201-08083-00	WASHER, PLATE	1	
9	91490-16020-00	PIN, COTTER	1	
10	95303-08700-00	NUT	1	
11	1J7-27231-00-00	ROD, BRAKE	1	
12	97011-06020-00	BOLT	1	
13	95380-06700-00	NUT	1	
14	(2J2-25850-50-00)	MSTR CYLINDER ASSEMBLY	1	
15	1U4-W0042-50-00	. CYLINDER KIT, MASTER	1	
16	(2J2-25852-50-00)	CAP, RESERVOIR	1	
17	(2J2-25854-50-00)	DIAPHRAGM RESERVOR	1	
18	2J2-25855-50-00	. BUSH, DIAPHRAGM	1	
19	1J3-25862-50-00	. BOOT, MASTER CYLINDER	1	
20	97313-08016-00	BOLT, HEXAGON	2	
21	92990-08100-00	WASHER	2	
22	2J2-25874-00-00	HOSE, BRAKE	1	
23	90401-10034-00	BOLT, UNION	2	
24	90201-10118-00	WASHER, PLATE	4	
25	90461-08031-00	CLAMP	2	
26	97013-06012-00	BOLT	2	
27	92995-06100-00	WASHER, SPRING	2	

REAR ARM - REAR CUSHION - CHAIN C



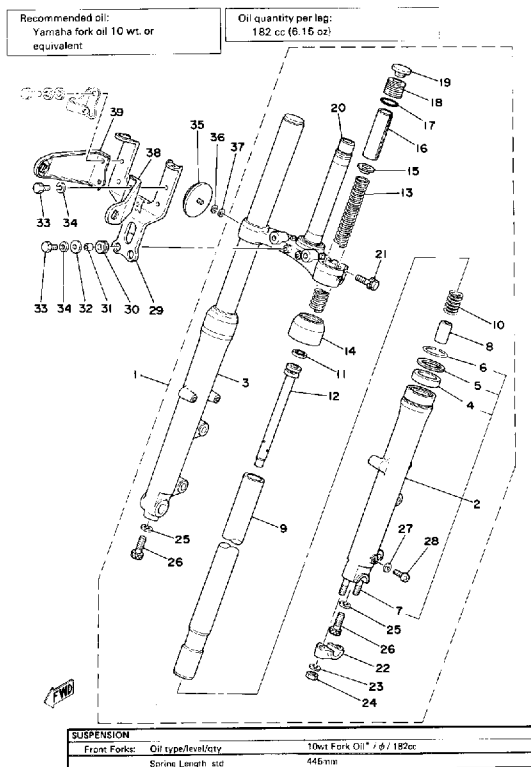
Ref. No.	Part Number	Description	Qty	Remarks
1	2J2-22110-03-33	REAR ARM	1	YAMAHA BLACK
2	483-22124-00-00	BUSH 2	1	
3	93317-22208-00	BEARING, CYLINDER.# 7	2	
4	93108-35004-00	OIL SEAL (35-41-8)	2	
5	93342-22205-00	BEARING, FLAT # 2	2	
6	648-45533-00-03	SHIM	1	
7	2K8-22129-00-00	COVER, THRUST 2	2	
8	431-22151-03-00	SEAL, GUARD	1	
9	33Y-22141-01-00	SHAFT, PIVOT	1	
10	90179-16256-00	NUT, SPEC'L SHAPE	2	
11	2J2-22311-01-00	CASE, CHAIN	1	
12	97313-06016-00	BOLT, HEXAGON	1	
13	92995-06100-00	WASHER, SPRING	1	
14	97011-06020-00	BOLT	1	
15	90480-13398-00	GROMMET	1	
16	90387-06216-00	COLLAR	1	
17	90201-06066-00	WASHER, PLATE	1	
18	2J2-22177-01-00	BAR, COMPRESSION	1	
19	(90102-10007-00)	BOLT, WITH HOLE	1	
20	95332-10600-00	NUT	1	
21	2J2-22184-00-00	BUSH	1	
22	91490-20020-00	PIN, COTTER	1	
23	33Y-22210-00-00	SHK/ABS ASSEMBLY, REAR	2	
24	(2J2-22212-02-00)	SPRING	2	
25	90201-14218-00	WASHER, PLATE	4	
26	90201-10696-00	WASHER, plate	4	
27	90176-10009-00	NUT, CROWN	2	
28	90176-10013-00	NUT, CROWN	2	

FRONT FENDER - REAR FENDER



Ref. No.	Part Number	Description	Qty	Remarks
1	2J2-21510-00-93	FENDER, FRONT	1	
2	97313-08020-00	BOLT, HEXAGON	4	
3	92990-08100-00	WASHER	4	
4	2J2-21610-00-93	FENDER, REAR	1	
5	168-21639-00-00	DAMPER 2	4	
6	90387-08258-00	COLLAR	4	
7	97313-08035-00	BOLT, HEXAGON	4	
8	95333-08600-00	NUT	4	
9	92990-08100-00	WASHER	4	
10	90201-08753-00	WASHER, PLATE	4	
11	2J2-21629-01-00	GUARD, MUD	1	
12	90201-06067-00	WASHER, PLATE	2	
13	97313-06016-00	BOLT, HEXAGON	2	
14	92995-06100-00	WASHER, SPRING	2	
15	90464-16021-00	CLAMP	1	
16	2MG-21639-00-00	DAMPER 2	1	
17	1A0-21518-00-00	HOLDER, CABLE	1	

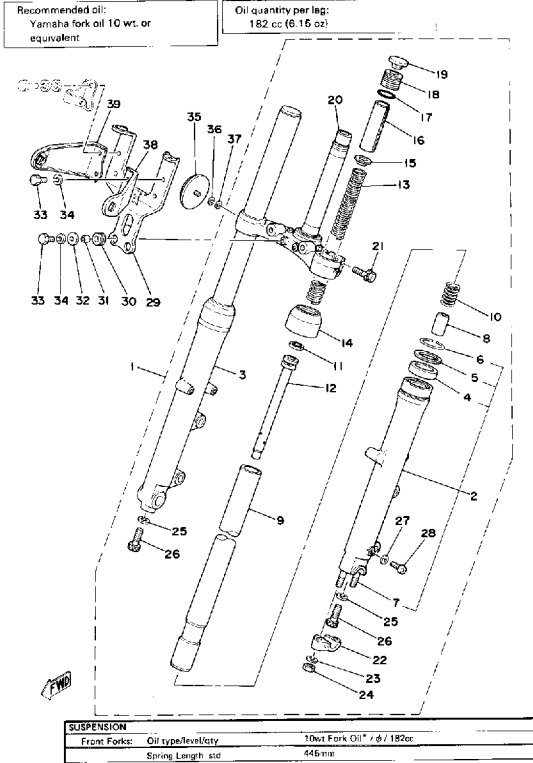
FRONT FORK



Ref. No.	Part Number	Description	Qty	Remarks
1	(2J2-23101-01-00)	FRONT FORK ASSEMBLY	1	
2	2F0-23126-00-00	. TUBE, OUTER 1	1	
3	2F0-23136-00-00	. TUBE, OUTER 2	1	
4	1T3-23145-00-00	.. OIL SEAL	2	
5	341-23146-50-00	.. WASHER, OIL SEAL	2	
6	341-23156-50-00	.. CLIP, OIL SEAL	2	
7	90116-08261-00	.. BOLT, STUD	2	ONLY TUBE LEFT
8	1W1-23173-L0-00	. SPINDLE, TAPER	2	
9	2F0-23110-00-00	. INNER TUBE 1	2	
10	(2F0-23151-00-00)	SPRING, REBOUND	2	
11	2F0-23157-00-00	. RING, PISTON FRTRFRK	2	
12	2F0-23170-00-00	. CYLINDER, FRTRFRK	2	
13	2J2-23141-00-00	. SPRING, FRONT FORK	2	
14	1T3-23144-50-00	. SEAL, DUST	2	
15	256-23142-60-00	. SEAT, SPRING UPPER	2	
16	(33Y-23118-00-00)	SPACER	2	
17	2F0-23114-00-00	. GASKET	2	
18	1T3-23111-50-00	. BOLT, CAP	2	
19	1T3-23168-50-00	. CAP, FRONT FORK	2	
20	2J4-23340-30-33	. UNDER BRACKET	1	YAMAHA BLACK
21	18G-23128-00-00	. BOLT, W/WASHER	4	
22	341-23167-50-00	. HOLDER, AXLE	1	
23	92901-08600-00	. WASHER	2	
24	90185-08089-00	. NUT, SELF-LOCKING	2	
25	509-23158-L0-00	. GASKET	2	
26	278-23181-50-00	. BOLT, HEXAGON SOCKET HEAD	2	
27	122-23129-00-00	. GASKET, DRAIN PLUG	2	
28	98580-04008-00	. SCREW, PAN HEAD	2	

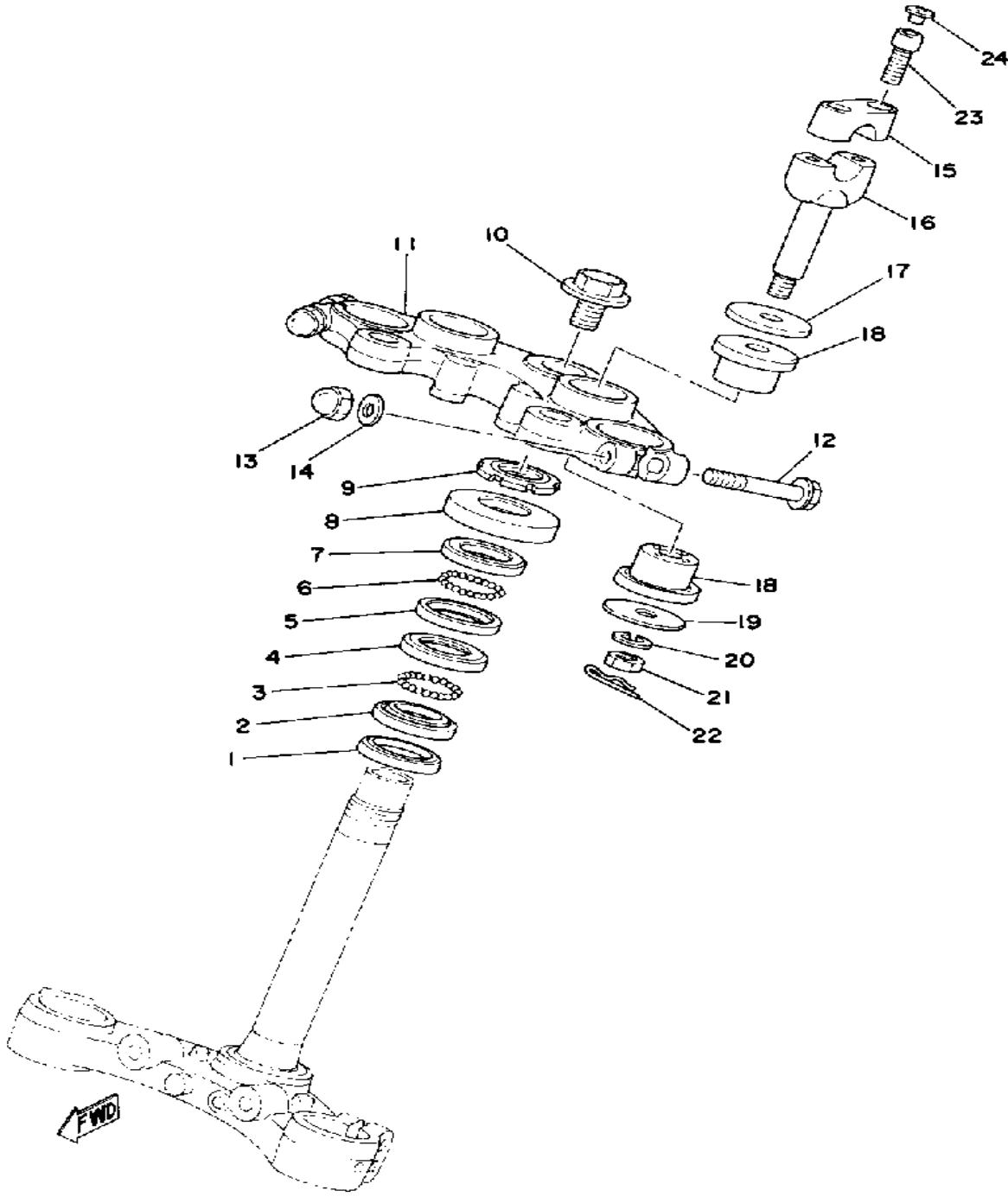
CONTINUED ON NEXT FRAME ►

FRONT FORK



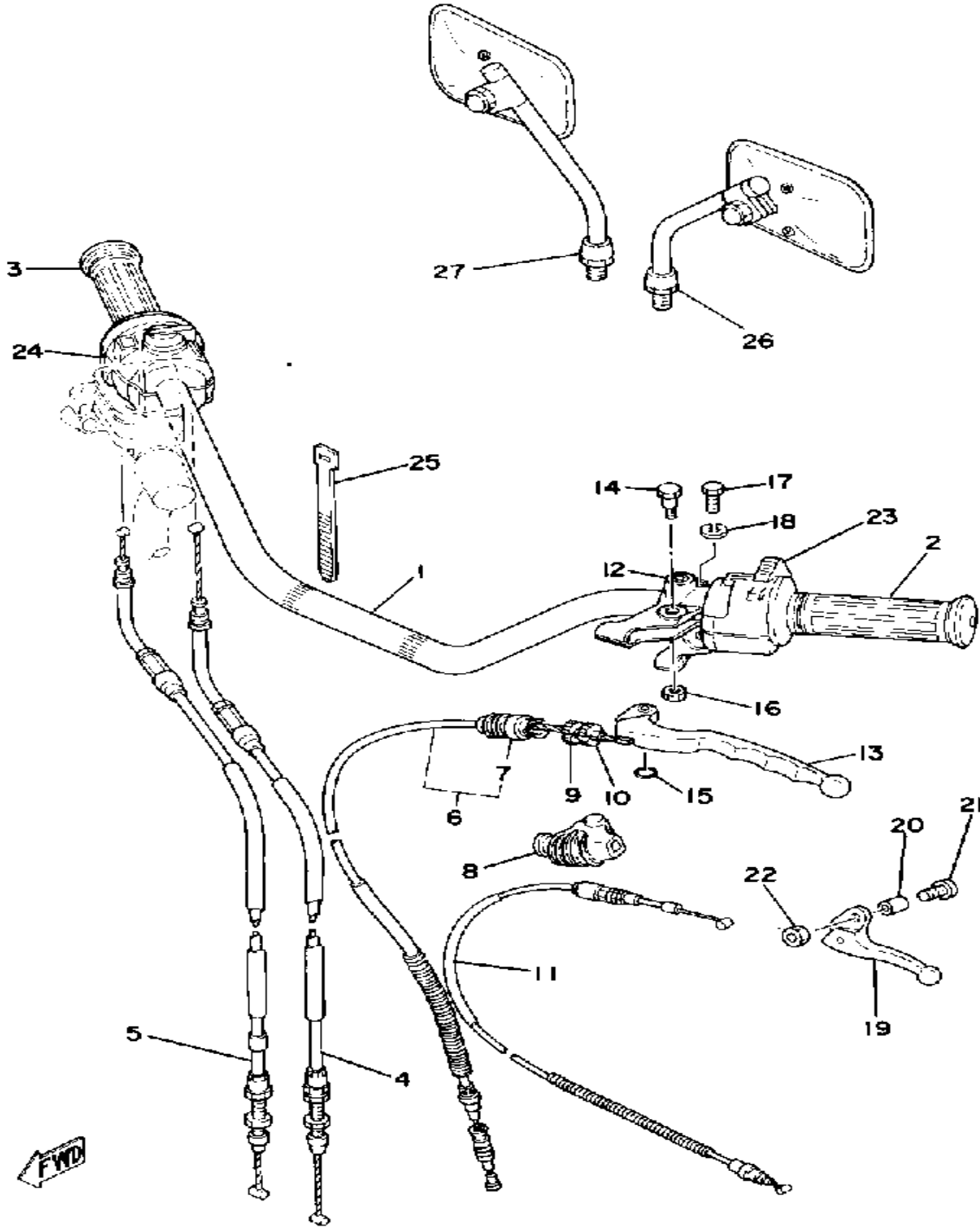
Ref. No.	Part Number	Description	Qty	Remarks
29	2J2-23121-02-33	COVER, UPPER 1	1	YAMAHA BLACK
30	90480-14052-00	GROMMET	2	
31	90387-06216-00	COLLAR	2	
32	90201-06067-00	WASHER, PLATE	2	
33	97011-06020-00	BOLT	2	
34	92995-06100-00	WASHER, SPRING	4	
35	355-85111-01-00	REFLECTOR, FRONT 1	2	
36	92990-05100-00	WASHER, SPRING	2	
37	92990-05200-00	WASHER, PLAIN	2	
38	2J2-23131-00-93	COVER, UPPER 2	1	
39	2J2-23174-00-93	STAY, HEADLIGHT	1	

STEERING



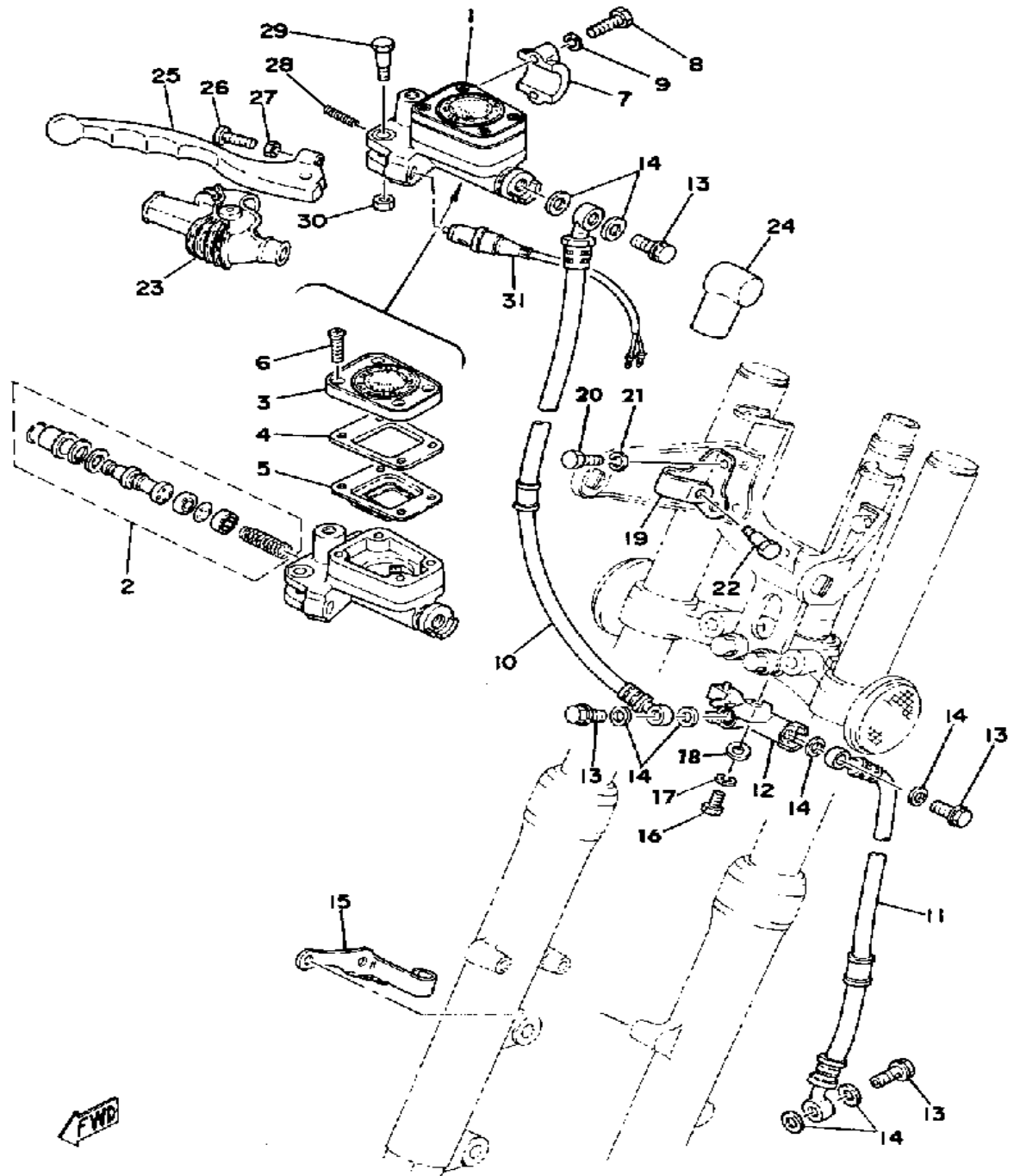
Ref. No.	Part Number	Description	Qty	Remarks
1	164-23462-00-00	SEAL, STEERING	1	
2	156-23411-00-00	RACE, BALL 1	1	
3	93501-04011-00	BALL	19	
4	156-23412-00-00	RACE, BALL 2	1	
5	22F-23412-01-00	RACE, BALL 2	1	
6	93503-16010-00	BALL	22	
7	22F-23411-01-00	RACE, BALL 1	1	
8	10V-23416-01-00	COVER, BALL RACE 2	1	
9	90179-25033-00	NUT	1	
10	90105-14102-00	BOLT, WASHER BASED	1	
11	(2J2-23435-00-98)	CROWN, HANDLE	1	LOW GLOSS BLK
12	95811-08055-00	BOLT, FLANGE	2	
13	95303-08800-00	NUT (CROWN) (95301-08800)	2	
14	92901-08600-00	WASHER	2	
15	99999-01112-00	HOLDER, HANDLE UP	2	LOW GLOSS BLK*
16	1E6-23442-00-00	HOLDER, HANDLE LWR	2	LOW GLOSS BLK
17	90209-12151-00	WASHER, SPEC'L SHAP	2	
18	1T4-23434-00-00	HOLDER, DAMPER	4	
19	90201-10149-00	WASHER, PLATE	2	
20	92990-10100-00	WASHER, SPRING	2	
21	95303-10700-00	NUT	2	
22	90468-12006-00	CLIP	2	
23	91316-08025-00	BOLT, SOCKET HEAD	4	
24	341-23469-00-00	CAP, BOLT	4	

HANDLE - WIRE



Ref. No.	Part Number	Description	Qty	Remarks
1	1J7-26111-00-00	HANDLEBAR	1	
2	2H7-26241-00-00	GRIP LH	1	
3	2J2-26240-00-00	GRIP ASSEMBLY RH	1	
4	2J2-26311-10-00	CABLE, THROTTLE 1	1	
5	2J2-26312-10-00	CABLE, THROTTLE 2	1	
6	2J2-26335-01-00	CABLE, CLUTCH	1	
7	1E6-26342-00-00	. BOOT, CABLE	1	
8	1E6-26372-00-00	COVER, HANDLE LEVER 1 ...	1	
9	90123-08046-00	BOLT	1	
10	90179-08148-00	NUT	1	
11	2J2-26331-01-00	CABLE, STARTER 1	1	
12	583-82911-02-00	HOLDER, LEVER 1	1	LOW GLOSS BLK
13	2H0-83912-30-00	LEVER L	1	LOW GLOSS BLK
14	2H7-83945-00-00	BOLT, LEVER	1	
15	93210-11368-00	O-RING	1	
16	95601-06100-00	NUT, U	1	
17	97003-06022-00	BOLT, HEXAGON (97301-06022)	1	
18	92995-06100-00	WASHER, SPRING	1	
19	583-83981-00-00	LEVER, DECOMPRESSION ...	1	
20	583-83913-00-00	COLLAR, decompression lever	1	
21	98501-05018-00	SCREW, PAN HEAD	1	
22	95601-05100-00	NUT, U	1	
23	2J3-83973-60-98	SWITCH, HANDLE 3	1	LOW GLOSS BLK
24	2J2-83976-00-98	SWITCH, HANDLE 1	1	LOW GLOSS BLK
25	437-83936-01-00	BAND, SWITCH CORD	5	
26	2G2-26290-10-00	MIRROR ASSEMBLY LH	1	
27	2G2-26290-00-00	MIRROR ASSEMBLY RH	1	OPTIONAL PARTS

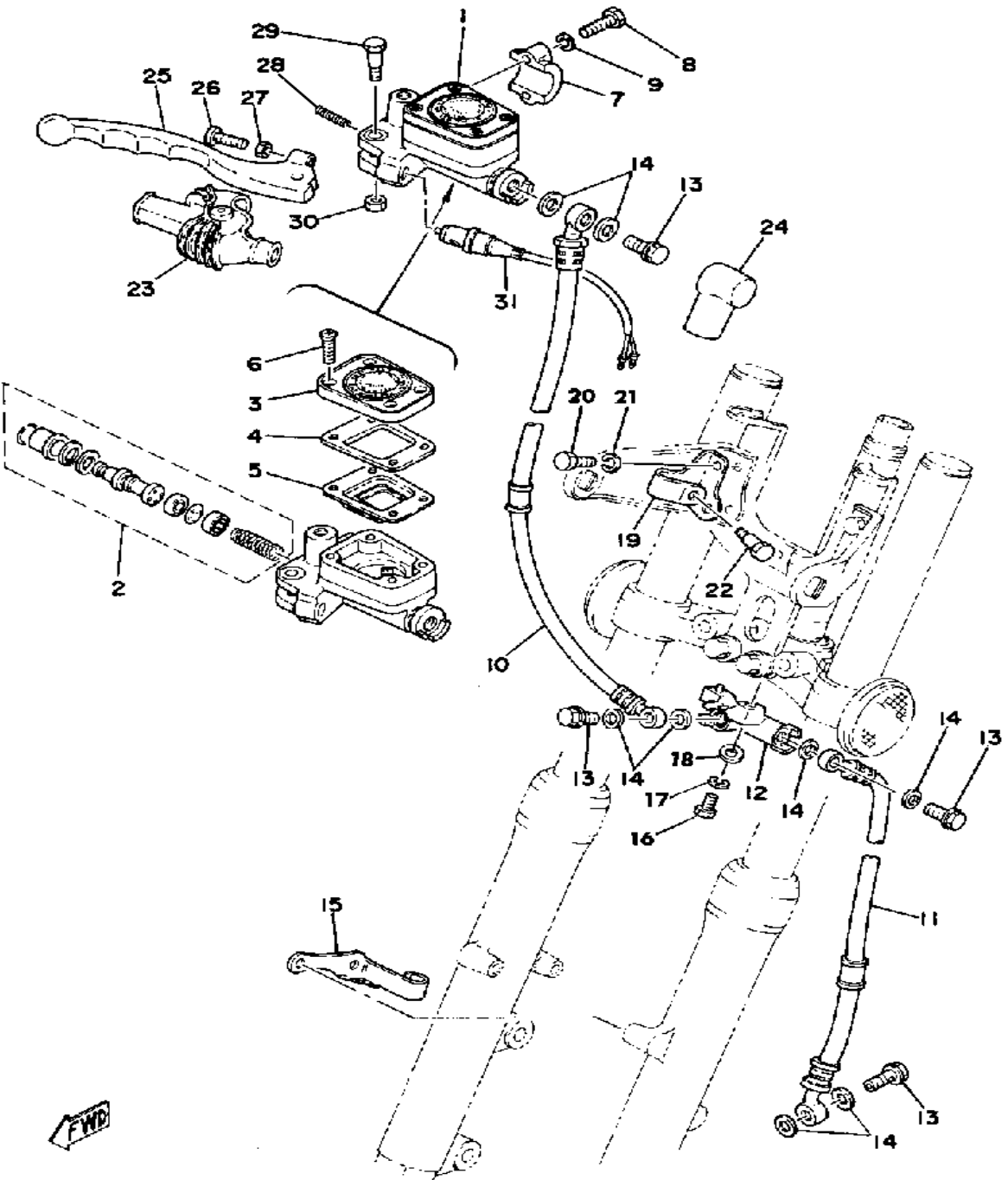
FRONT MASTER CYLINDER - BRAKE HOSE



Ref. No.	Part Number	Description	Qty	Remarks
1	1J3-25850-02-00	MSTR CYLINDER ASSEMBLY	1	
2	535-W0041-60-00	. CYLINDER KIT, MASTER	1	
3	1J3-25852-01-00	. CAP, RESERVOIR	1	
4	1J3-25855-01-00	. BUSH, DIAPHRAGM	1	
5	1J3-25854-01-00	. DIAPHRAGM RESERVOR	1	
6	90151-05008-00	. SCREW, COUNTERSUNK	4	
7	1J3-25867-00-00	BRACKET, MASTER CYLINDER (341-25867-00)	1	
8	97313-06025-00	BOLT, HEXAGON	2	
9	92995-06100-00	WASHER, SPRING	2	
10	2J2-25872-01-00	HOSE, BRAKE 1	1	
11	2J2-25873-00-00	HOSE, BRAKE 2	1	
12	(2J2-25885-01-00)	JOINT	1	
13	90401-10034-00	BOLT, UNION	4	
14	90201-10118-00	WASHER, PLATE	8	
15	1J3-25876-02-00	HOLDER, BRKE HOSE 2	1	
16	97011-06025-00	BOLT (97001-06025)	1	
17	92995-06100-00	WASHER, SPRING	1	
18	92901-06600-00	WASHER	2	
19	(2J2-25876-00-00)	HOLDER, BRKE HOSE 2	1	
20	97013-06012-00	BOLT	3	
21	92995-06100-00	WASHER, SPRING	3	
22	90109-06005-00	BOLT	1	
23	1T5-26372-00-00	COVER, HANDLE LEVER	1	
24	360-25862-00-00	BOOT, MASTER CYLINDER	1	
25	4L0-83922-00-00	LEVER RH	1	
26	90149-06131-00	SCREW	1	
27	90170-06010-00	NUT	1	
28	90501-10312-00	SPRING, COMPRESSION	1	

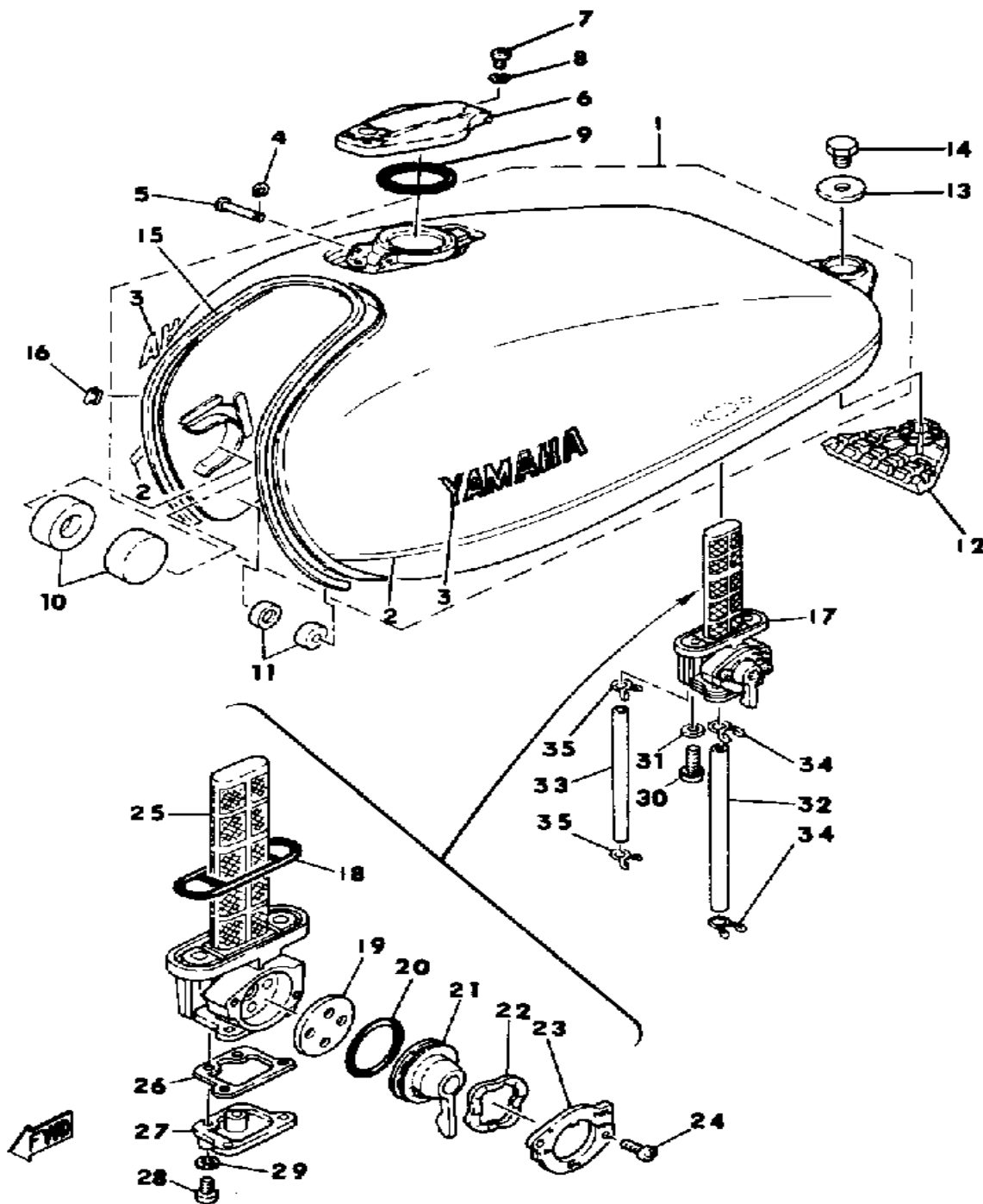
CONTINUED ON NEXT FRAME ►

FRONT MASTER CYLINDER - BRAKE HOSE



Ref. No.	Part Number	Description	Qty	Remarks
29	90109-06465-00	BOLT	1	
30	95601-06100-00	NUT, U	1	
31	1A0-83980-30-00	STOP SWITCH ASSEMBLY ...	1	

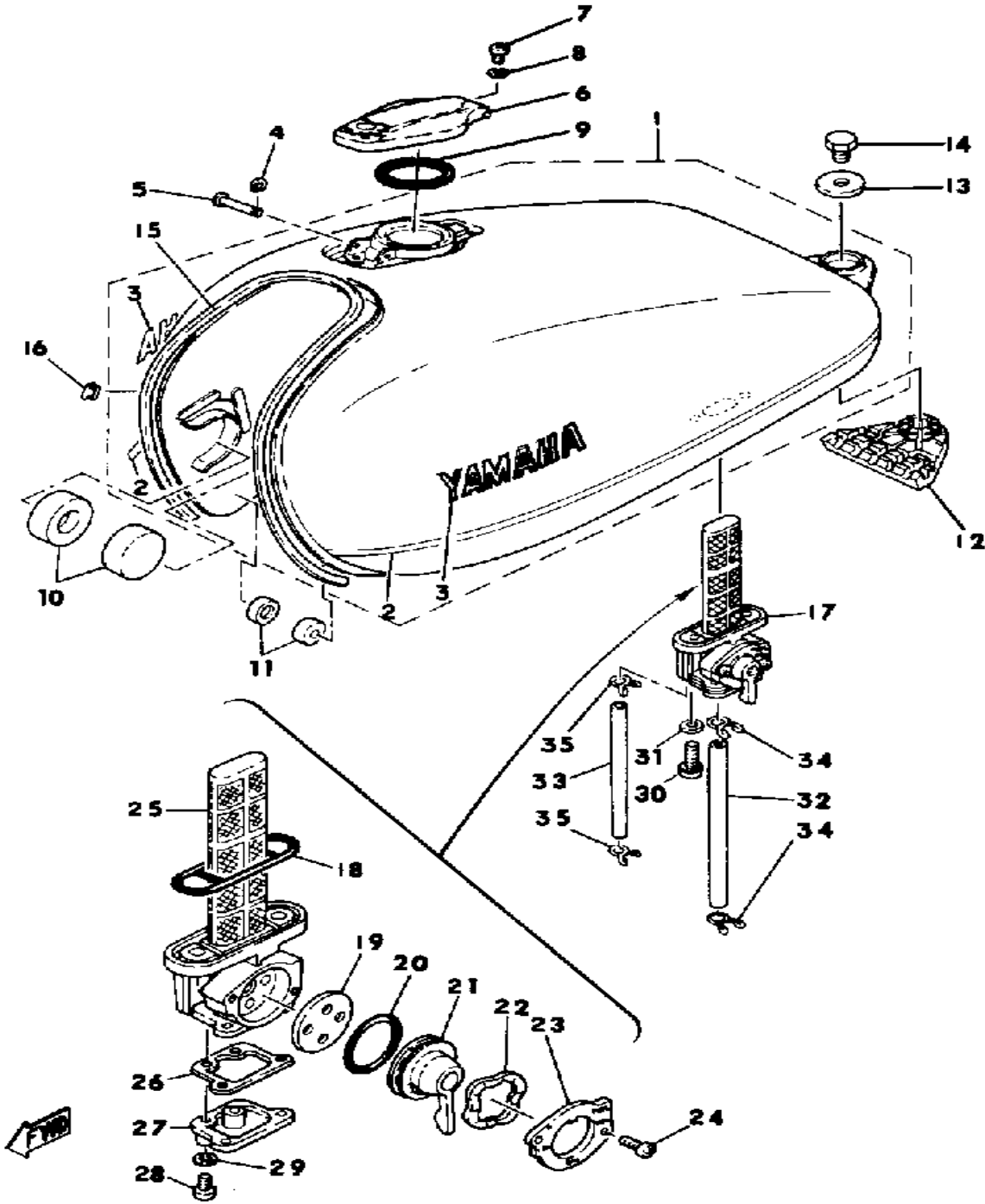
FUEL TANK



Ref. No.	Part Number	Description	Qty	Remarks
1	2J2-24110-01-01	FUEL TANK	1	STAR RED
	2J2-24110-01-02	FUEL TANK	1	BLACK GOLD
2	(2J2-24244-00-00)	GRAPHIC, FUEL TNK 1	2	
3	1E5-92592-80-00	. EMBLEM, FUEL TANK	2	
4	93430-02001-00	CIRCLIP	1	
5	90249-03123-00	PIN, SPEC'L SHAPE	1	
6	4R0-24602-01-00	CAP ASSEMBLY	1	
7	98580-05010-00	SCREW, PAN HEAD	1	
8	92990-05100-00	WASHER, SPRING	1	
9	2M0-24641-00-00	GASKET, CAP 1	1	
10	2J2-24181-00-00	DAMPER, LOCATING 1	2	
11	2J2-24183-01-00	DAMPER, LOCATING 3 (2J2-24183-00)	2	
12	1J7-24182-01-00	DAMPER, LOCATING 2	1	
13	90209-08098-00	WASHER, SPEC'L SHAP	1	
14	97313-08018-00	BOLT, HEXAGON (97301-08016)	1	
15	3EB-24189-00-00	PLATE, MOLD	1	
16	90468-03063-00	CLIP	6	
17	2J2-24500-01-00	FUEL COCK ASSEMBLY 1	1	
18	1J7-24512-00-00	. GASKET	1	
19	1J7-24523-00-00	. VALVE	1	
20	1J7-24534-00-00	. SEAL, COCK	1	
21	1J7-24524-00-00	. LEVER, COCK	1	
22	1J7-24518-00-00	. WASHER, WAVE	1	
23	1J7-24525-00-00	. PLATE, LVR FITTING	1	
24	98580-03010-00	. SCREW, PAN HEAD (98502-03010)	2	
25	1J7-24514-02-00	. NET, FILTER 1	1	
26	1J7-24522-00-00	. GASKET	1	

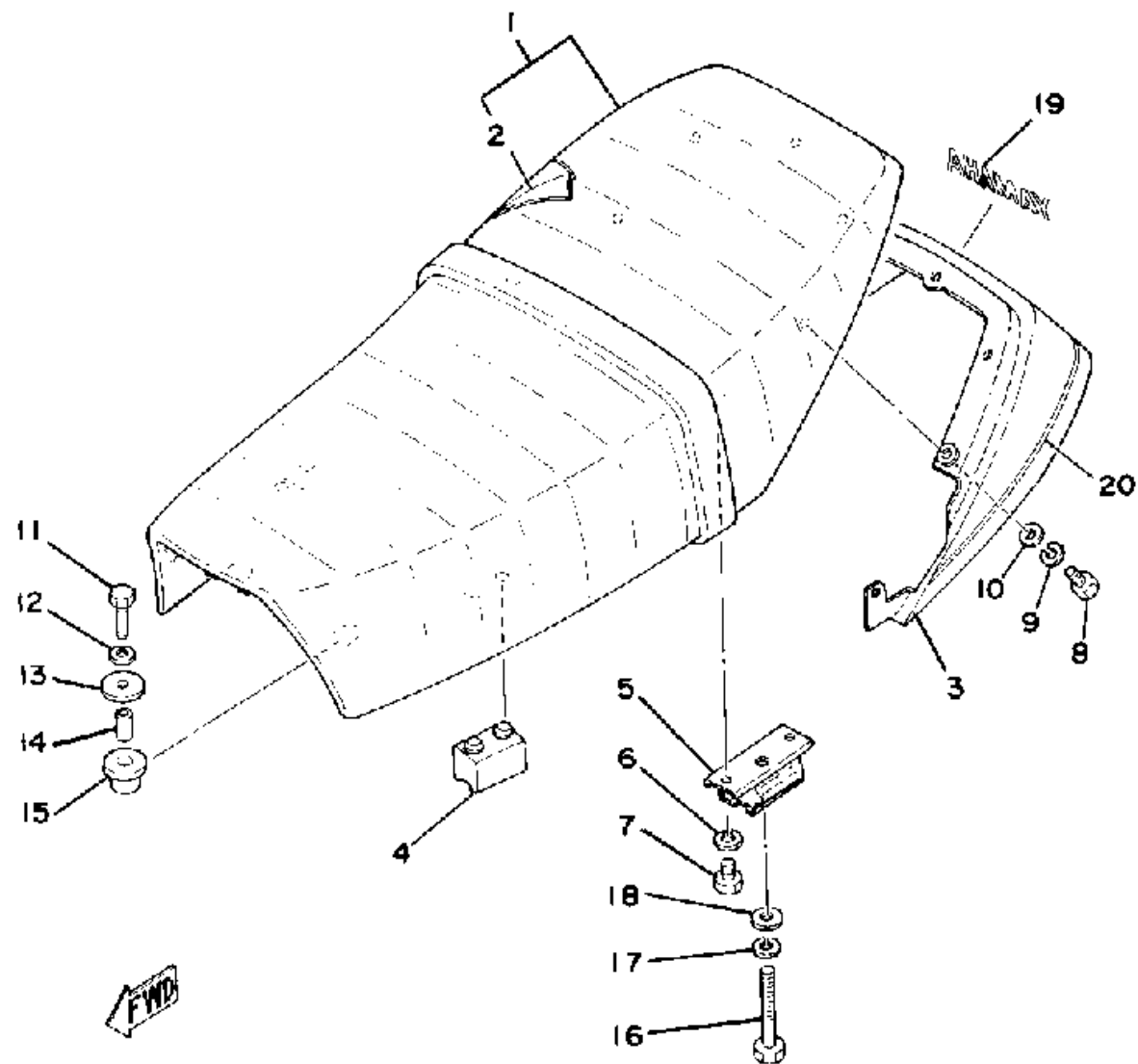
CONTINUED ON NEXT FRAME ►

FUEL TANK



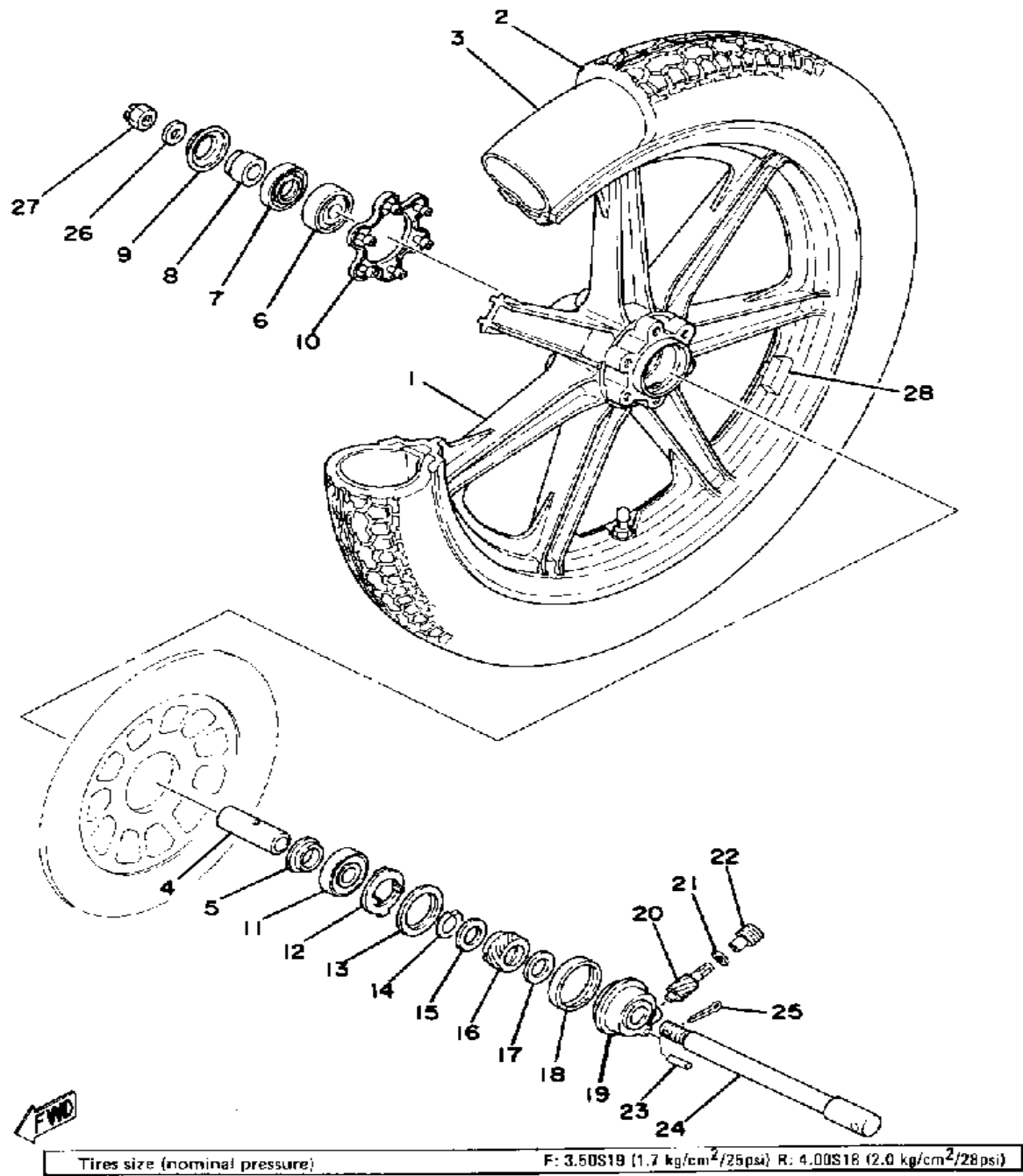
Ref. No.	Part Number	Description	Qty	Remarks
27	(1L9-24521-00-00)	CUP, FILTER	1	
28	98511-04012-00	. SCREW, PAN HEAD	4	
29	92901-04100-00	. WASHER, SPRING	4	
30	90149-06008-00	SCREW	2	
31	90202-05187-00	WASHER, PLATE	2	
32	90445-10137-00	HOSE (810-24315-00)	1	
33	90445-07219-00	HOSE	1	
34	90467-09006-00	CLIP	2	
35	90467-07029-00	CLIP	2	

SEAT



Ref. No.	Part Number	Description	Qty	Remarks
1	2J2-W2472-01-00	DOUBLE SEAT ASSEMBLY (2J2-24730-91)	1	
2	2J2-24731-00-00	. COVER, DOUBLE SEAT	1	
3	(2J2-24756-00-H8)	COVER, TAIL	1	STAR RED
	2J2-24756-00-6G	COVER, TAIL	1	BLACK GOLD
4	2J2-24723-00-00	DAMPER, SEAT	2	
5	2J2-24724-01-00	DAMPER, SEAT	2	
6	92995-06100-00	WASHER, SPRING	4	
7	97011-06010-00	BOLT	4	
8	97313-05012-00	BOLT, HEXAGON	7	
9	92990-05100-00	WASHER, SPRING	7	
10	92901-05600-00	WASHER, PLATE	7	
11	97021-06030-00	BOLT	2	
12	92995-06100-00	WASHER, SPRING	2	
13	90201-06075-00	WASHER, PLATE	2	
14	90387-06554-00	COLLAR	2	
15	2J2-24737-00-00	DAMPER, SEAT	2	
16	97021-08070-00	BOLT	2	
17	92990-08100-00	WASHER	2	
18	92901-08600-00	WASHER	2	
19	99235-00025-00	EMBLEM, YAMAHA	1	
20	(2J2-24757-00-00)	GRAPHIC, TAIL COVER	1	

FRONT WHEEL



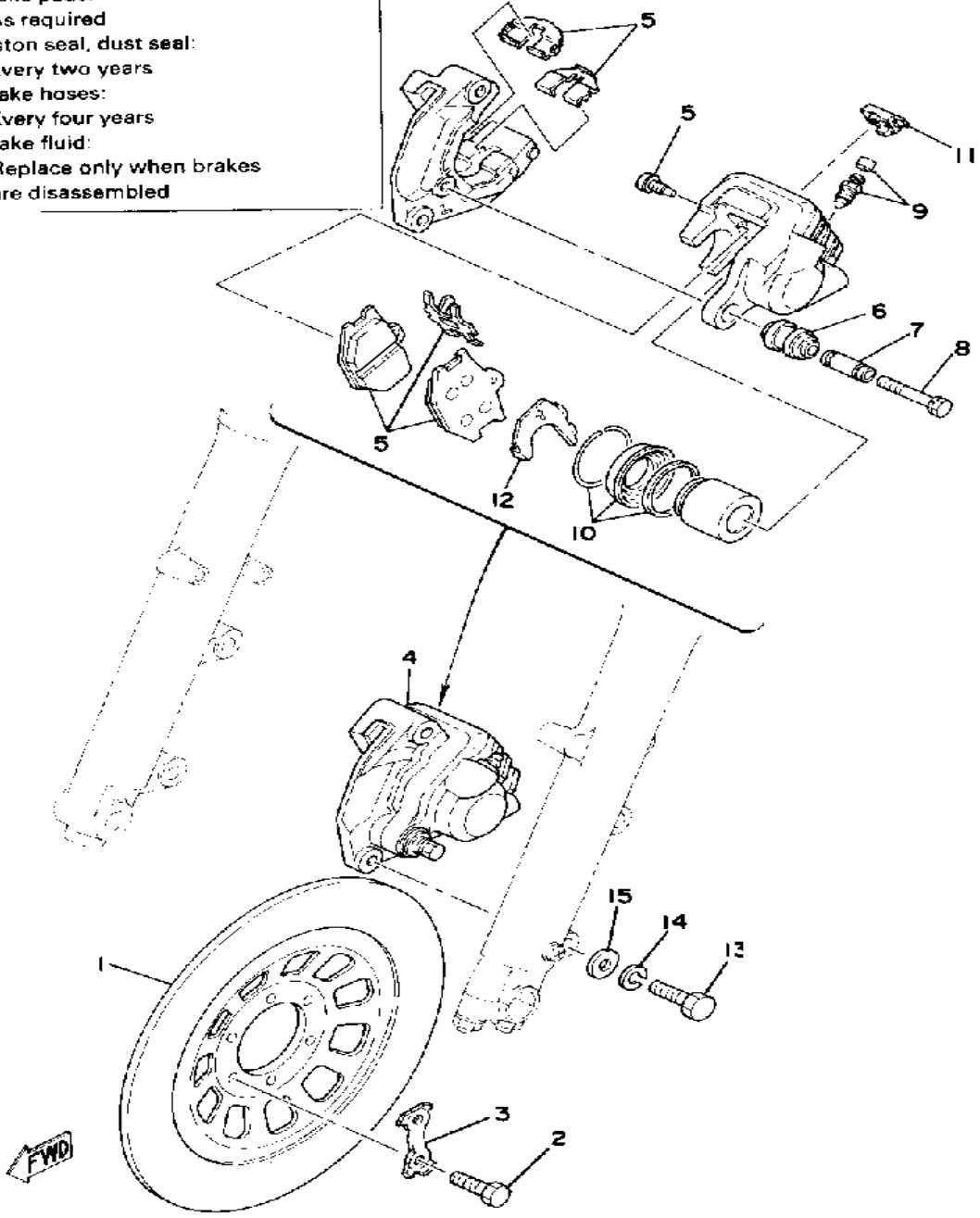
Ref. No.	Part Number	Description	Qty	Remarks
1	(2H7-25168-20-00)	WHEEL, CAST FRONT	1	LOW GLOSS BLK
2	(94135-19385-00)	350 X 19 BS G5 3	1	
3	(94232-19064-00)	TUBE	1	
4	90560-17126-00	SPACER	1	
5	146-25315-00-00	FLANGE, SPACER	1	
6	93306-30309-00	BEARING	1	
7	93102-28022-00	OIL SEAL	1	
8	90387-17433-00	COLLAR	1	
9	341-25118-00-00	COVER, hub dust	1	
10	1U4-25847-00-00	COVER, HOUSING	1	
11	93306-30309-00	BEARING	1	
12	341-25149-00-00	CLUTCH, METER	1	
13	341-25846-00-00	RETAINER, CLUTCH	1	
14	341-25137-00-00	RING, STOP	1	
15	90201-25286-00	WASHER, PLATE (341-25147-00)	1	
16	341-25135-01-00	GEAR, DRIVE	1	
17	90201-25490-00	WASHER, PLATE	1	
18	93105-45017-00	OIL SEAL	1	
19	341-25190-01-00	GEAR UNIT ASSEMBLY	1	
20	306-25138-00-00	GEAR, METER	1	
21	102-18416-00-00	SHIM, ROD	1	
22	306-25136-00-00	BUSH	1	
23	91609-20014-00	PIN, SPRING	1	
24	341-25181-01-00	AXLE, WHEEL	1	
25	91401-30030-00	PIN, COTTER	1	
26	92990-14200-00	WASHER, PLAIN	1	
27	90171-14020-00	NUT, CASTLE	1	
28	1A1-25398-01-00	BALANCER, WHEEL	1	20G

CONTINUED ON NEXT FRAME ►

FRONT DISC BRAKE - CALIPER

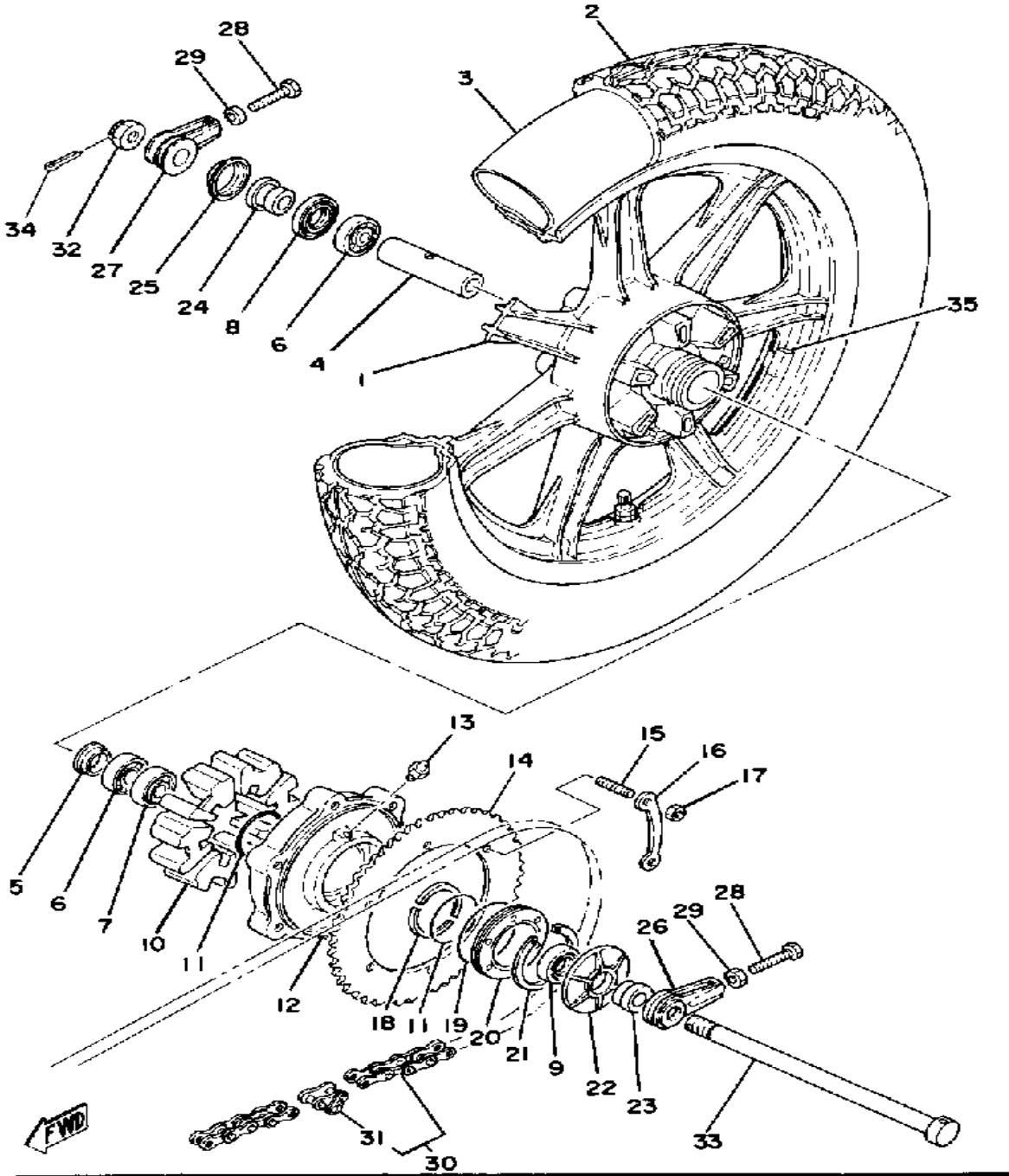
Brake inspection and repair

Recommended Brake Component Replacement Schedule:
Brake pads:
 As required
Piston seal, dust seal:
 Every two years
Brake hoses:
 Every four years
Brake fluid:
 Replace only when brakes are disassembled



Ref. No.	Part Number	Description	Qty	Remarks
1	2H7-25831-00-00	DISC, BRAKE	1	
2	90101-08312-00	BOLT	6	
3	1J3-25834-01-00	WASHER, LOCK	3	
4	(1L9-25810-14-00)	CALIPER ASSEMBLY LH	1	
5	4K0-W0045-01-00	. BRAKE PAD KIT, FRNT	1	
6	1J3-25917-00-00	. BOOT, CALIPER	1	
7	1J3-25838-00-00	. SLEEVE, CALIPER	1	
8	90105-08145-00	. BOLT, WASHER BASED	1	
9	1J3-W0048-00-00	. BLEED SCREW KIT	1	
10	1J3-W0047-00-00	. CALIPER SEAL KIT	1	
11	1J3-25845-01-00	. CAP, INDICATOR	1	
12	1J3-25827-10-00	. SHIM, CALIPER	1	
13	90105-10638-00	BOLT, WASHER BASED	2	
14	92990-10100-00	WASHER, SPRING	2	
15	92990-10200-00	WASHER, PLAIN	2	

REAR WHEEL

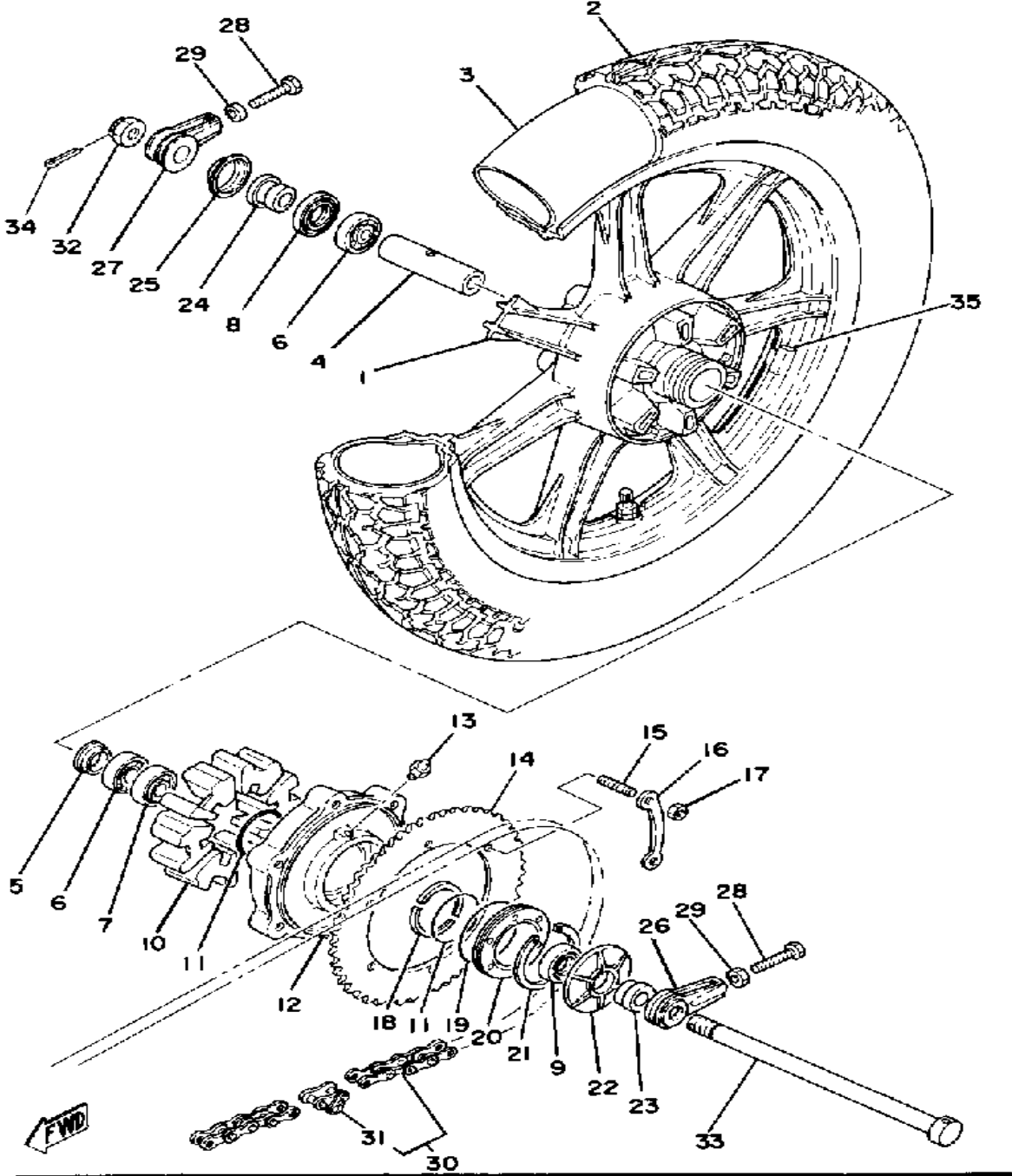


Ref. No.	Part Number	Description	Qty	Remarks
1	(2J2-25338-20-00)	WHEEL, CAST REAR	1	LOW GLOSS BLK
2	(94140-18386-00)	400X18 BS G5 3	1	
3	94240-18098-00	TUBE (4.00-18)	1	
4	90560-17311-00	SPACER	1	
5	146-25315-00-00	FLANGE, SPACER	1	
6	93306-20310-00	BEARING	2	
7	93306-30309-00	BEARING	1	
8	93102-28022-00	OIL SEAL	1	
9	93102-25061-00	OIL SEAL, SD-TYPE	1	
10	2J2-25364-00-00	DAMPER	6	
11	93210-52312-00	O-RING	2	
12	1E6-25366-00-98	CLUTCH, HUB	1	LOW GLOSS BLK
13	93700-06M03-00	NIPPLE, GREASE	1	
14	2J2-25444-10-00	SPROCKET, DRIVN 44T	1	
15	90116-08218-00	BOLT, STUD	6	
16	583-25412-00-00	WASHER	3	
17	90170-08193-00	NUT, HEXAGON	6	
18	1E6-25318-00-00	STOPPER, HUB	2	
19	93210-71311-00	O-RING	1	
20	1E6-25319-01-00	SEAL, HUB DUST	1	
21	93450-78080-00	CIRCLIP, INNER	1	
22	1E6-25367-00-00	COVER, HUB DUST	1	
23	90387-17530-00	COLLAR	1	
24	90387-17536-00	COLLAR	1	
25	(1J3-25118-00-00)	COVER, HUB DUST	1	
26	48U-25388-00-00	PULLER, CHAIN 1	1	
27	(2J2-25388-00-00)	PULLER, CHAIN 1	1	
28	90101-08699-00	BOLT	2	
29	95303-08700-00	NUT	2	

Tires size (nominal pressure): [F: 3.50S19 (1.7 kg/cm²/25psi) R: 4.00S18 (2.0 kg/cm²/28psi)]

CONTINUED ON NEXT FRAME ➤

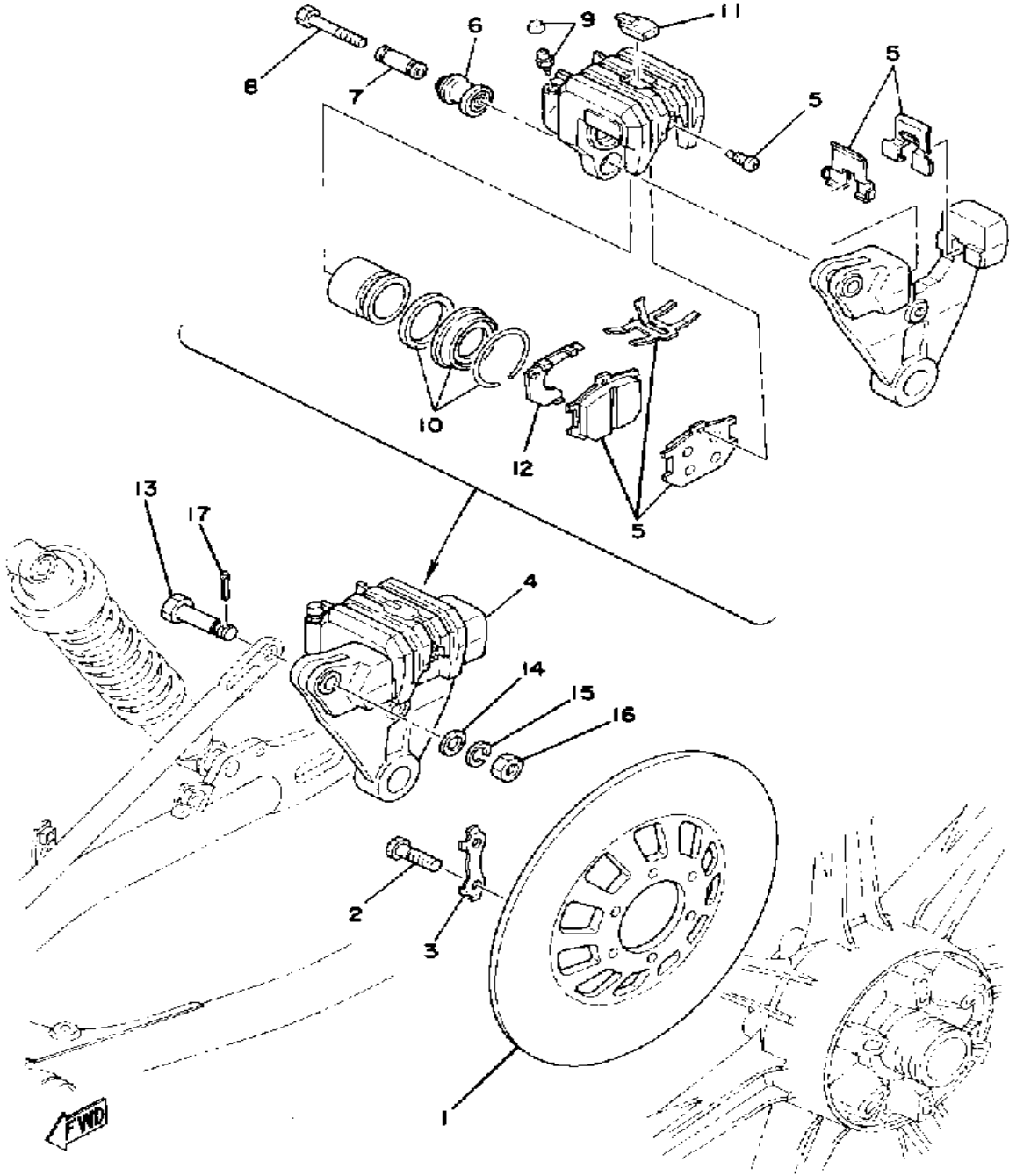
REAR WHEEL



Ref. No.	Part Number	Description	Qty	Remarks
30	94580-05104-00	50HDS-104L	1	
31	94680-20011-00	. JOINT CHAIN	1	
32	90171-16022-00	NUT, CASTLE	1	
33	150-25381-00-00	AXLE, WHEEL	1	
34	91401-30030-00	PIN, COTTER	1	
35	1A1-25398-01-00	BALANCER, WHEEL	1	20G
	1A1-25399-00-00	BALANCER, WHEEL	1	10G

Tires size (nominal pressure): [F: 3.50S19 (1.7 kg/cm²/25psi) R: 4.00S18 (2.0 kg/cm²/28psi)]

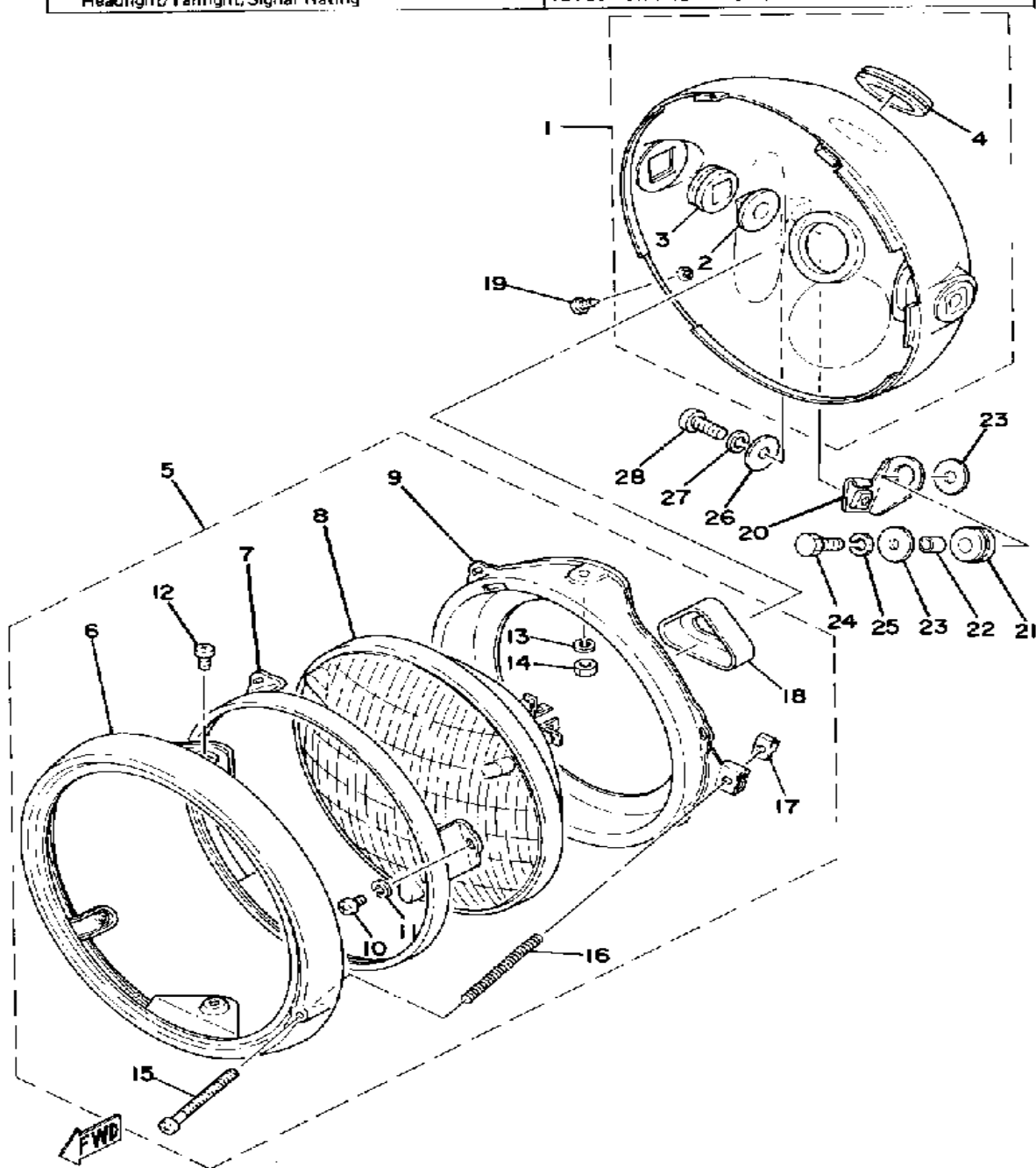
REAR DISC BRAKE - CALIPER



Ref. No.	Part Number	Description	Qty	Remarks
1	1L9-25831-00-00	DISC, BRAKE	1	
2	90101-08312-00	BOLT	6	
3	1J3-25834-01-00	WASHER, LOCK	3	
4	(2J2-25810-51-00)	CALIPER ASSEMBLY	1	
5	(2J2-W0046-01-00)	BRAKE PAD KIT, REAR	1	
6	1J3-25917-00-00	. BOOT, CALIPER	1	
7	1J3-25838-00-00	. SLEEVE, CALIPER	1	
8	90105-08145-00	. BOLT, WASHER BASED	1	
9	1J3-W0048-00-00	. BLEED SCREW KIT	1	
10	1J3-W0047-00-00	. CALIPER SEAL KIT	1	
11	1J3-25845-01-00	. CAP, INDICATOR	1	
12	1J3-25827-00-00	. SHIM, CALIPER	1	
13	(90109-08499-00)	BOLT	1	
14	92901-08600-00	WASHER	1	
15	92990-08100-00	WASHER	1	
16	90170-08158-00	NUT	1	
17	91490-20020-00	PIN, COTTER	1	

Headlight/Taillight/Signal Rating

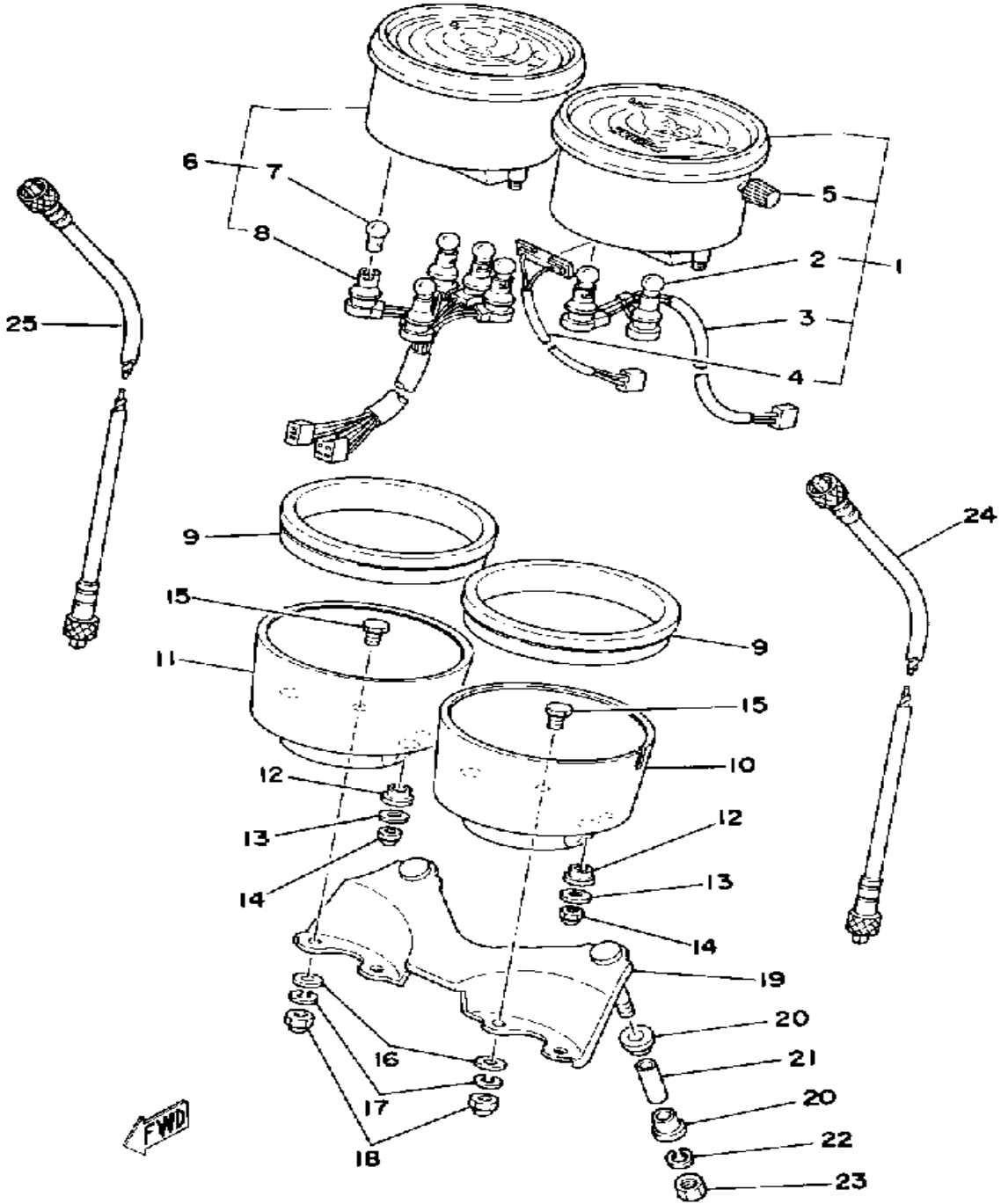
12V50-40W / 12V27-8W / 12V27W



HEAD LAMP

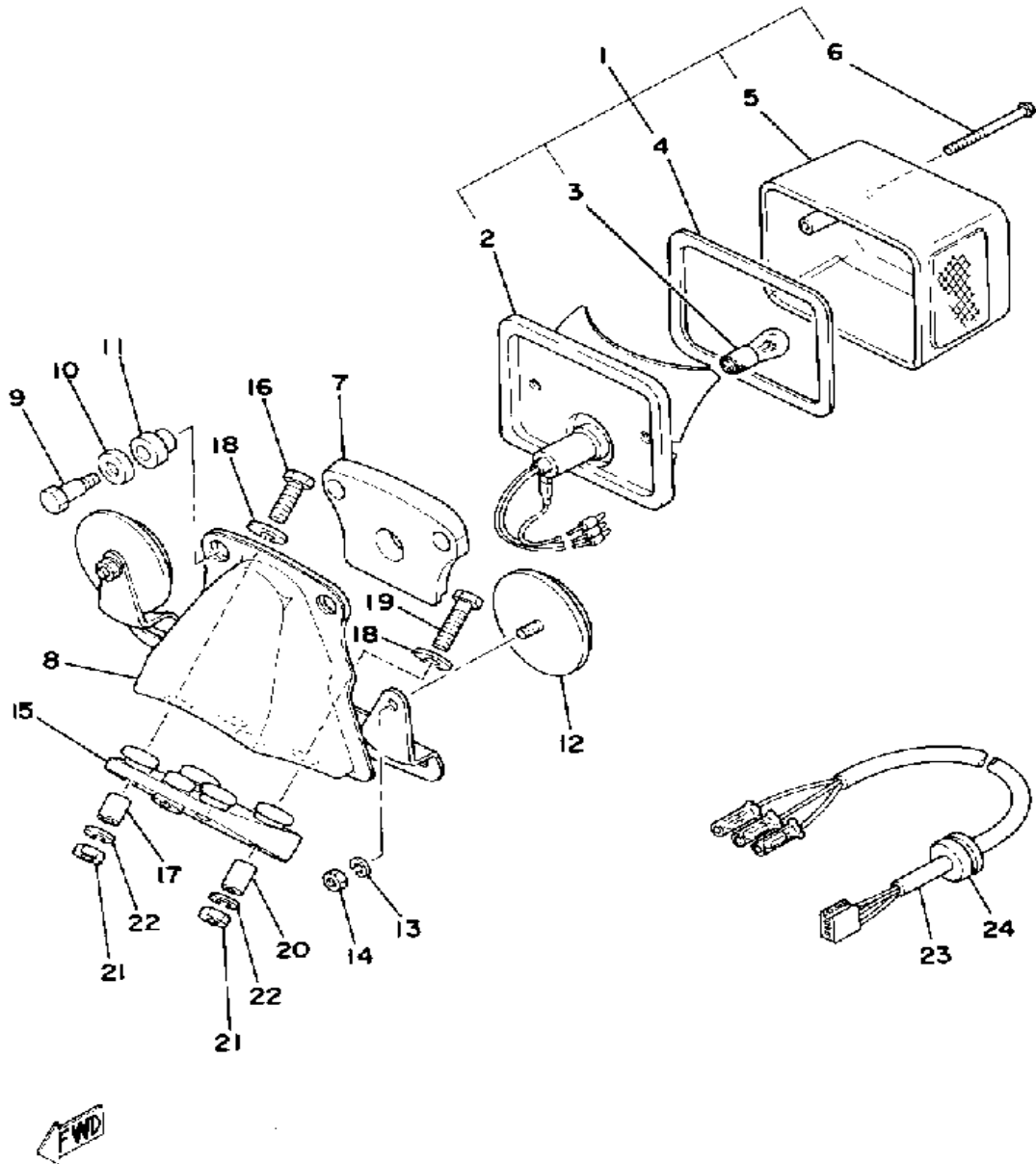
Ref. No.	Part Number	Description	Qty	Remarks
1	1JK-84330-00-93	BODY ASSEMBLY	1	
2	584-84338-60-00	. COLLAR, BODY FTNG	2	
3	584-84345-60-00	. DAMPER, HEADLIGHT	2	
4	214-84153-60-00	. GROMMET, WIREHERNESS	3	
6	341-84315-40-00	. RIM, HEADLIGHT	1	
7	2F9-84395-00-00	. RING, RETAINING	1	
8	341-84320-60-00	. LENS ASSEMBLY	1	
9	2F9-84394-00-00	. RING, MOUNTING	1	
10	98580-04008-00	. SCREW, PAN HEAD	3	
11	92901-04100-00	. WASHER, SPRING	3	
12	98580-05010-00	. SCREW, PAN HEAD	2	
13	92990-05100-00	. WASHER, SPRING	2	
14	95380-05600-00	. NUT	2	
15	98580-04055-00	. SCREW, LENS FITTING	1	
16	341-84332-60-00	. SPRING, SCREW	1	
17	198-84334-60-00	. NUT, ADJUSTING	1	
18	341-84397-61-00	. COVER, SOCKET	1	
19	90152-05005-00	SCREW, COUNTERSUNK	2	
20	2J2-84318-00-00	STAY, HEADLIGHT 1	1	
21	90480-14052-00	GROMMET	1	
22	90387-06216-00	COLLAR	1	
23	90201-06067-00	WASHER, PLATE	1	
24	97011-06020-00	BOLT	1	
25	92995-06100-00	WASHER, SPRING	1	
26	90201-06067-00	WASHER, PLATE	1	
27	92995-06100-00	WASHER, SPRING	1	
28	98580-06010-00	SCREW, PAN HEAD (92503-06010)	1	

SPEEDOMETER - TACHOMETER



Ref. No.	Part Number	Description	Qty	Remarks
1	2J2-83570-A0-00	SPEEDOMETER ASSEMBLY ..	1	U.S.A.
2	123-83516-21-00	. BULB (12V-3.4W)	2	
3	(2J2-83536-00-00)	SOCKET, METER	1	
4	(2J2-83556-00-00)	SENDER	1	
5	584-83578-71-00	. KNOB, TRIP METER	1	
6	2J3-83540-F1-00	TACHOMETER ASSEMBLY ...	1	
7	123-83516-21-00	. BULB (12V-3.4W)	5	
8	(2J2-83520-00-00)	SOCKET CORD ASSEMBLY ..	1	
9	3H3-83513-00-00	DAMPER	2	
10	2J2-83507-00-00	COVER, SPEEDOMETER	1	
11	2J2-83508-00-00	COVER, TACHOMETER	1	
12	584-83523-00-00	DAMPER	4	
13	90201-05031-00	WASHER, PLATE	4	
14	95303-05800-00	NUT (CROWN)	4	
15	584-83546-00-00	BOLT	4	
16	92990-06200-00	WASHER	4	
17	92995-06100-00	WASHER, SPRING	4	
18	95303-06800-00	NUT (CROWN)	4	
19	2J2-83519-00-00	BRACKET, METER	1	
20	1JK-83541-00-00	DAMPER	4	
21	90387-06676-00	COLLAR	2	
22	92995-06100-00	WASHER, SPRING	2	
23	95380-06600-00	NUT	2	
24	34X-83550-01-00	SPEEDOMETER CABLE ASSEMBLY	1	
25	2J2-83560-00-00	TACHOMETER CABLE	1	

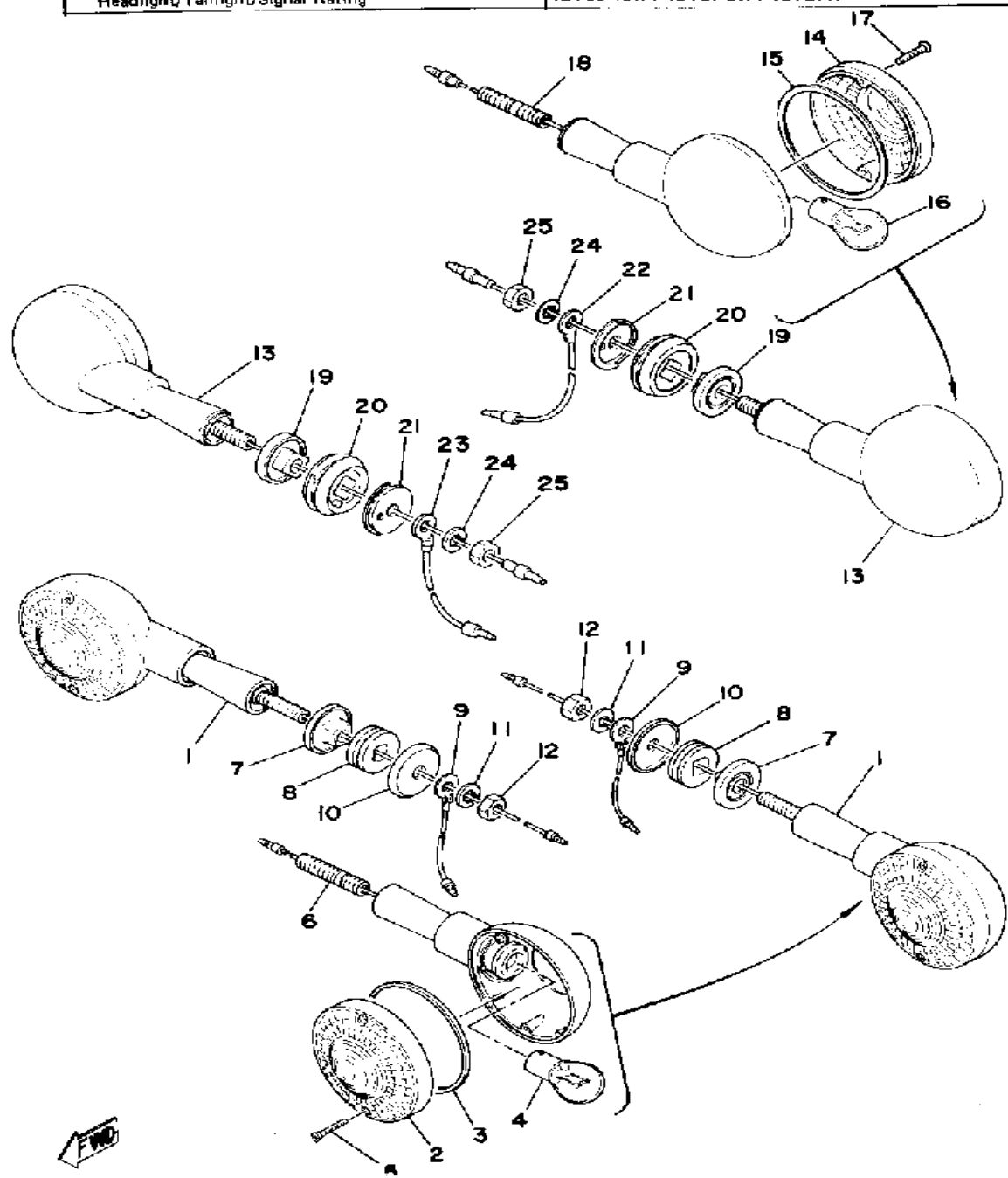
Headlight/Taillight/Signal Rating	12V50-40W / 12V27-8W / 12V27W
-----------------------------------	-------------------------------



TAIL LAMP

Ref. No.	Part Number	Description	Qty	Remarks
1	1W9-84710-60-00	TAILLIGHT UNIT ASSEMBLY ..	1	
2	2J2-84711-60-00	. BASE, TAILLIGHT	1	
3	256-84714-61-00	. BULB (12V-27/8W)	1	
4	1M1-84523-60-00	. GASKET, LENS	1	
5	1M1-84521-60-00	. LENS, TAILLIGHT	1	
6	1M1-84524-60-00	. SCREW, LENS FITTING	2	
7	1M1-84512-60-00	SEAT, BASE	1	
8	2J2-84751-00-93	BRACKET, LICENSE	1	
9	1M1-84526-60-00	SCREW	2	
10	2H7-84754-00-00	WASHER, SPECIAL	2	
11	1M1-84527-60-00	DAMPER	2	
12	449-85131-02-00	REFLECTOR, REAR 1	2	
13	92990-05100-00	WASHER, SPRING	2	
14	95380-05600-00	NUT	2	
15	2J2-84753-00-00	DAMPER	1	
16	97021-06030-00	BOLT	2	
17	90387-07390-00	COLLAR	2	
18	90201-06067-00	WASHER, PLATE	4	
19	97011-06025-00	BOLT (97001-06025)	2	
20	90387-074W0-00	COLLAR	2	
21	95380-06600-00	NUT	4	
22	92995-06100-00	WASHER, SPRING	4	
23	3Y1-84517-00-00	CORD, TAILLIGHT	1	
24	90480-12013-00	GROMMET	2	

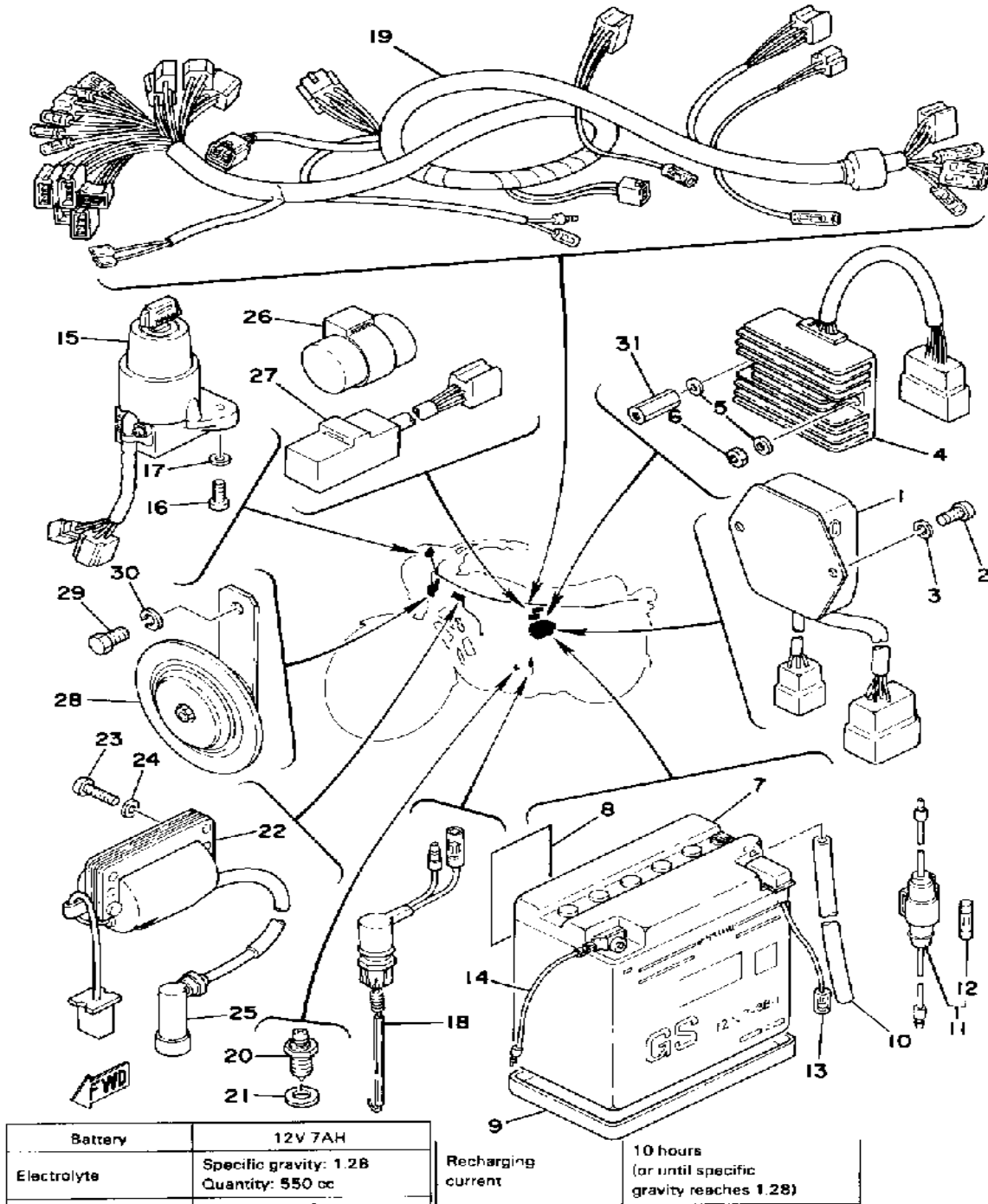
Headlight/Taillight/Signal Rating	12V50-40W / 12V27-8W / 12V27W
-----------------------------------	-------------------------------



FLASHER LAMP

Ref. No.	Part Number	Description	Qty	Remarks
1	341-83310-72-93	FRT FLSHR LITE ASSEMBLY	2	
2	341-83312-70-00	. LENS, FLASHER	2	
3	3Y6-83313-00-00	. GASKET, FLSHR LENS	2	
4	256-83311-70-XX	. BULB, TS 12V27W	2	
5	341-83333-70-00	. SCREW, LENS FITTING	4	
6	341-83367-09-00	. BOLT, STUD	2	
7	341-83316-01-00	COLLAR, FLASHER 1	2	
8	341-83321-01-00	DAMPER, FLASHER 1	2	
9	256-84313-01-00	WIRE, EARTH	2	L
10	90209-08098-00	WASHER, SPEC'L SHAP	2	
11	92990-08100-00	WASHER	2	
12	95333-08600-00	NUT	2	
13	1E5-83330-20-93	R FLSHR LITE ASSEMBLY	2	
14	341-83312-70-00	. LENS, FLASHER	2	
15	3Y6-83313-00-00	. GASKET, FLSHR LENS	2	
16	256-83311-70-XX	. BULB, TS 12V27W	2	
17	341-83333-70-00	. SCREW, LENS FITTING	4	
18	360-83367-09-00	. BOLT, STUD	2	
19	341-83316-01-00	COLLAR, FLASHER 1	2	
20	1E6-83321-00-00	DAMPER, FLASHER 1	2	
21	1E6-83348-00-00	WASHER	2	
22	3FU-83364-00-00	WIRE, EARTH LEAD 1	1	L
23	3FU-83364-00-00	WIRE, EARTH LEAD 1	1	L
24	92990-08100-00	WASHER	2	
25	95333-08600-00	NUT	2	

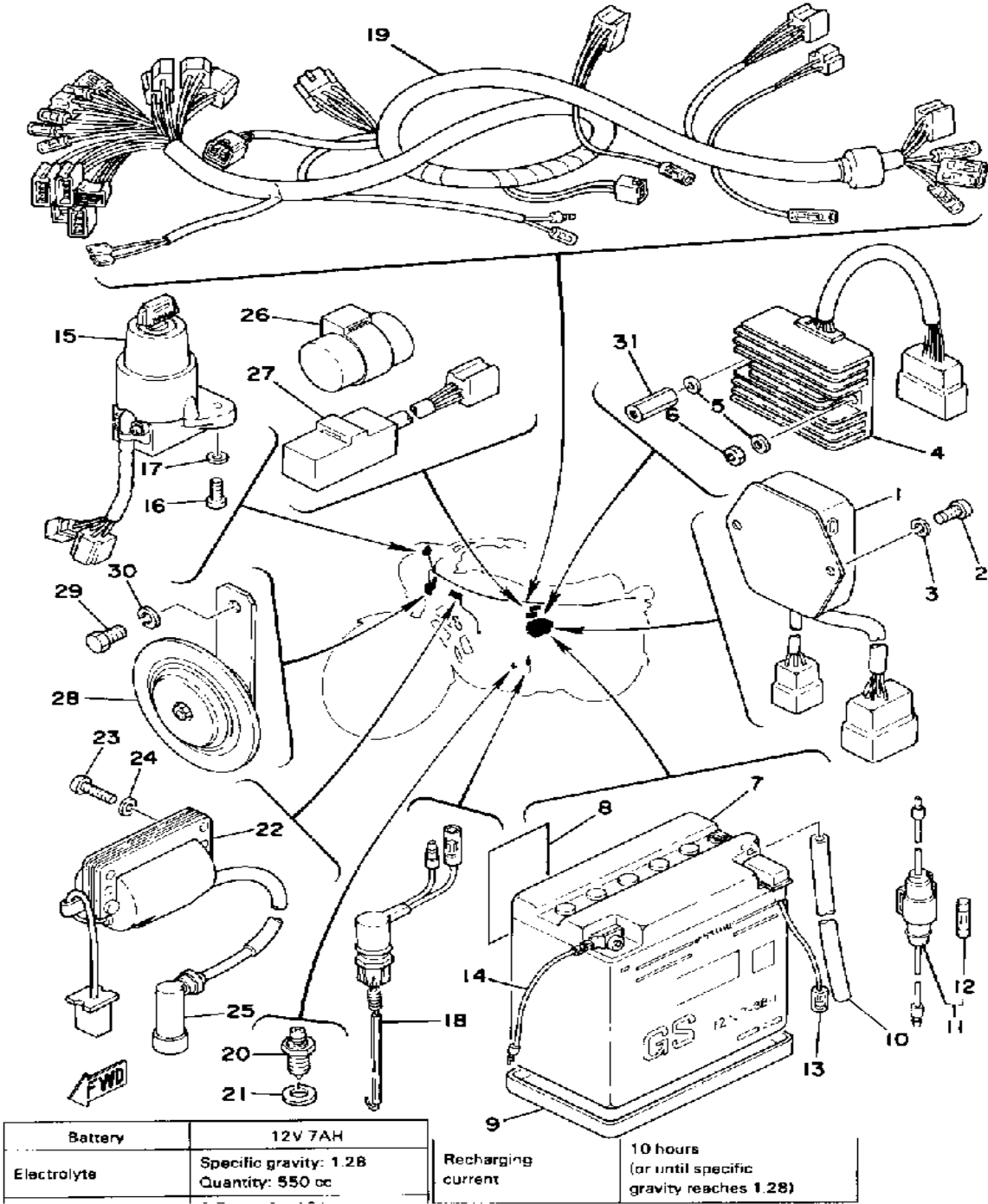
ELECTRICAL



Ref. No.	Part Number	Description	Qty	Remarks
1	2J2-85540-50-00	CDI UNIT ASSEMBLY	1	
2	97011-06010-00	BOLT	2	
3	92995-06100-00	WASHER, SPRING	2	
4	2J2-81960-A0-00	RECTIFIER/REG ASSEMBLY	1	
5	92901-06600-00	WASHER	2	
6	90170-06249-00	NUT	1	
7	BTY-12N73-B0-00	YUASA 12N7-3B	1	G.S.12N7-3B-1
8	118-82141-09-00	LABEL, BATTERY	1	EXCLUSIVE FOR U.S.A.
9	123-82122-00-00	SEAT, BATTERY	1	
10	90445-08336-00	HOSE	1	
11	2J2-82150-10-00	FUSE HOLDER ASSEMBLY	1	
12	1A0-82161-00-00	FUSE (20A) (148-82151-00-00)	2	
13	1M1-82115-00-00	WIRE, PLUS LEAD	1	
14	2J2-82116-00-00	WIRE, MINUS LEAD	1	
15	3GW-82501-00-00	MAIN SWITCH ASSEMBLY	1	
16	98503-06014-00	SCREW, PAN HEAD (92502-06016)	2	
17	92901-06600-00	WASHER	2	
18	2J2-82530-02-00	STOP SWITCH ASSEMBLY	1	
19	2J2-82590-61-00	WIRE HARNESS ASSEMBLY	1	
20	2H7-82540-00-00	NEUTRAL SWITCH ASSEMBLY	1	
21	90430-10171-00	GASKET	1	
22	2J2-82310-51-00	IGNITION COIL ASSEMBLY	1	
23	98511-06025-00	SCREW PAN HEAD (92501-06025)	2	
24	92995-06100-00	WASHER, SPRING	2	
25	1J7-82370-00-00	PLUG CAP ASSEMBLY	1	FOR U.S.A.
26	2F0-83350-70-00	FLASHER RELAY ASSEMBLY	1	

CONTINUED ON NEXT FRAME ►

ELECTRICAL



Ref. No.	Part Number	Description	Qty	Remarks
27	1A0-83395-03-00	FLASHER CANCL UNIT	1	
28	4V8-83371-20-00	HORN	1	
29	97313-08012-00	BOLT	1	
30	92990-08100-00	WASHER	1	
31	95380-06600-00	NUT	1	

D-23

SR500E 1978 SERVICE DATA

MOTORCYCLE M7-065



TECHNICAL BULLETIN

MODEL - IBM I.D. NUMBER	SR500E-B / SR500E-R - 2J2
Initial Engine Number/Frame Number	2J2-000101 / 2J2-000101
Basic Color(s)	Star Red or Black Gold
ENGINE TYPE	4-stroke, SOHC, air-cooled, single / Premium Fuel
Bore/Stroke/Number Cylinders/Displacement (cc)	87mm / 84mm / 1 / 499cc
Compression Ratio/Compression Pressure min.~max.	9.0:1 / 9.5 ~ 10.5 kg/cm ²
Piston Skirt Clearance new/max.	0.050 ~ 0.055mm / 0.1mm
Ring End Gap top/2nd/3rd	0.3 ~ 0.5mm / 0.3 ~ 0.5mm / 0.2 ~ 0.9mm
Valve Clearance (cold) Intake/Exhaust	0.07 ~ 0.12mm / 0.12 ~ 0.17mm
Oil Pressure hot/rpm	φ
Oil Tank or Engine Sump Capacity	Chg 2000cc / Filter 2100cc / Dry 2400cc
AUTOLUBE - Min. stroke/Color code	φ
Minimum Output @ 200 cycles	φ
Maximum Output @ 200 cycles	φ
CARBURETOR - mfr./type/I.D. number	Mikuni / VM34SS / 2J200
Main Jet/Pilot Jet	300 / 25
Needle Jet/Jet Needle-Clip Position	P-8 / 6FL25-2
Slide Cutaway or Throttle Valve	3.5
Float Height	23.5 ± 1mm
Mixture Screw - turns out/idle rpm	1-7/8 Preset for emissions control / 1100rpm
SUSPENSION	
Front Forks: Oil type/level/qty	10wt Fork Oil* / φ / 182cc
Gas Pressure	φ
Spring Length std	445mm
Monoshock: Oil type/qty	φ
Gas Pressure	φ
TRANSMISSION - oil type/qty chg/qty reassemble	SAE20W40 (Yamalube 4*) / See Engine
Primary drive type	Spur Gear
Secondary type/teeth/chain	Chain / 44-16 / DID50HDSS - 104L
Clutch Friction Plate Thickness std ~ min.	2.8 ~ 2.5mm
Clutch Spring Length std ~ min.	41.2 ~ 40mm
Tires size (nominal pressure)	F: 3.50S19 (1.7 kg/cm ² /25psi) R: 4.00S18 (2.0 kg/cm ² /28psi)
ELECTRICAL - System/Type	AC Magneto / External Flywheel
Maximum Output	14.5V11A @ 5000 rpm
Field Coil Color Code/Ω	φ
Charging Coil Color Code/Ω	Wht~Yel/0.8Ω±30%/Wht~Wht/0.73Ω±30%
Source Coil Color Code/Ω	lo: Brn~Blk/329Ω±30%/hi: Red~Blk/334Ω±30%
Lighting Coil Color Code/Ω	φ
Pulse Coil or Pickup Coil Color Code/Ω	lo: Wht-Grn~Blk/87Ω±30%/hi: Wht-Red~Blk/165Ω±30%
Ignition Coil test gap Primary Ω / Secondary Ω	6mm / 0.98Ω ± 20% / 12KΩ ± 20%
Battery-model/spec. grav./chg rate x hour	12N7-3B / 1.280 / 0.7A to full charge
Headlight/Taillight/Signal Rating	12V50-40W / 12V27-8W / 12V27W
Point Gap/Condenser Capacitance	φ
Spark Plug Type	NGK BP7ES or Champion N-7Y
Spark Plug Gap/Torque/Cap Ω	0.7 ~ 0.8mm / 2.0 m·kg / 5.5KΩ
Timing Static	7° @ 1100 rpm
Dynamic	33.5° @ 6000 rpm

φ = Does Not Apply To This Model

* Available from Yamaha Parts Distributors, Inc.

©YAMAHA MOTOR CORPORATION, U. S. A., BUENA PARK, CALIFORNIA 11/23/77 Page 1 of 1

D-23

SR500E 1978 SERVICE DATA

MOTORCYCLE M7-065

MODEL - IBM I.D. NUMBER	SR500E-B / SR500E-R - 2J2
Initial Engine Number/Frame Number	2J2-000101 / 2J2-000101
Basic Color(s)	Star Red or Black Gold
ENGINE TYPE	4-stroke, SOHC, air-cooled, single / Premium Fuel
Bore/Stroke/Number Cylinders/Displacement (cc)	87mm / 84mm / 1 / 499cc
Compression Ratio/Compression Pressure min.~max.	9.0:1 / 9.5 ~ 10.5 kg/cm ²
Piston Skirt Clearance new/max.	0.050 ~ 0.055mm / 0.1mm
Ring End Gap top/2nd/3rd	0.3 ~ 0.5mm / 0.3 ~ 0.5mm / 0.2 ~ 0.9mm
Valve Clearance (cold) Intake/Exhaust	0.07 ~ 0.12mm / 0.12 ~ 0.17mm
Oil Pressure hot/rpm	φ
Oil Tank or Engine Sump Capacity	Chg 2000cc / Filter 2100cc / Dry 2400cc
AUTOLUBE - Min. stroke/Color code	φ
Minimum Output @ 200 cycles	φ
Maximum Output @ 200 cycles	φ
CARBURETOR - mfr./type/I.D. number	Mikuni / VM34SS / 2J200
Main Jet/Pilot Jet	300 / 25
Needle Jet/Jet Needle-Clip Position	P-8 / 6FL25-2
Slide Cutaway or Throttle Valve	3.5
Float Height	23.5 ± 1mm
Mixture Screw - turns out/idle rpm	1-7/8 Preset for emissions control / 1100rpm
SUSPENSION	
Front Forks: Oil type/level/qty	10wt Fork Oil* / φ / 182cc
Gas Pressure	φ
Spring Length std	445mm
Monoshock: Oil type/qty	φ
Gas Pressure	φ
TRANSMISSION - oil type/qty chg/qty reassemble	SAE20W40 (Yamalube 4*) / See Engine
Primary drive type	Spur Gear
Secondary type/teeth/chain	Chain / 44-16 / DID50HDSS - 104L
Clutch Friction Plate Thickness std ~ min.	2.8 ~ 2.5mm
Clutch Spring Length std ~ min.	41.2 ~ 40mm
Tires size (nominal pressure)	F: 3.50S19 (1.7 kg/cm ² /25psi) R: 4.00S18 (2.0 kg/cm ² /28psi)
ELECTRICAL - System/Type	AC Magneto / External Flywheel
Maximum Output	14.5V11A @ 5000 rpm
Field Coil Color Code/Ω	φ
Charging Coil Color Code/Ω	Wht~Yel/0.8Ω±30%/Wht~Wht/0.73Ω±30%
Source Coil Color Code/Ω	lo: Brn~Blk/329Ω±30%/hi: Red~Blk/334Ω±30%
Lighting Coil Color Code/Ω	φ
Pulse Coil or Pickup Coil Color Code/Ω	lo: Wht-Grn~Blk/87Ω±30%/hi: Wht-Red~Blk/165Ω±30%
Ignition Coil test gap Primary Ω / Secondary Ω	6mm / 0.98Ω ± 20% / 12KΩ ± 20%
Battery-model/spec. grav./chg rate x hour	12N7-3B / 1.280 / 0.7A to full charge
Headlight/Taillight/Signal Rating	12V50-40W / 12V27-8W / 12V27W
Point Gap/Condenser Capacitance	φ
Spark Plug Type	NGK BP7ES or Champion N-7Y
Spark Plug Gap/Torque/Cap Ω	0.7 ~ 0.8mm / 2.0 m·kg / 5.5KΩ
Timing Static	7° @ 1100 rpm
Dynamic	33.5° @ 6000 rpm

φ = Does Not Apply To This Model

* Available from Yamaha Parts Distributors, Inc.

©YAMAHA MOTOR CORPORATION, U. S. A., BUENA PARK, CALIFORNIA 11/23/77 Page 1 of 1